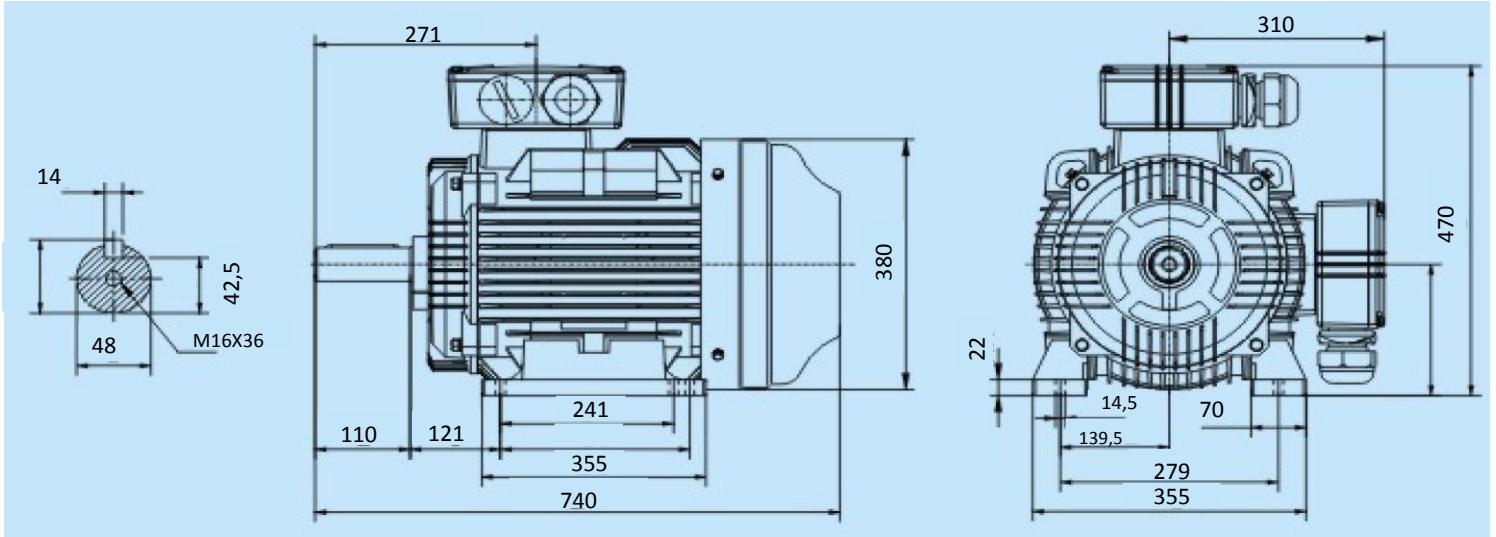


Réf: YE2-180M-2P 22KW 2P B3



Specification	IEC 60034-1		Efficiency class	
Manufacturer	SNE		Load data	100%
Motor type	YE2-180M-2P		Efficiency	91,3 %
Rated power	22 kW	S1 duty	Power factor	0,89
Speed	2960 r.p.m		Sound pressure level (1m)	69,0 dB(A)
Voltage	400/690 V		Resistance R ₂₀ (open)	Ω
Frequency	50 Hz		Resistance R ₂₀	Ω
Connection			Locked rotor current	8,2
400 V	39,1 A		Locked rotor torque	2,2
690 V	22,6 A		Torque	71,0
Enclosure	IP 55		Torque max	2,3
Insulation Class	F/B		Rotor inertia J=GD ² /4	0,0808 Kg ^m ²
Max. coolant temp.	40°C		Bearing DE	6311 /C3
Max. altitude	1 000 mtr,	above sea level	Bearing NDE	6311 /C3
Comment				
Cable entries	2-M40X1,5	mm		
Terminal box	200X160X80	mm		
Feature	Cast-iron			
Weight	191 kg			