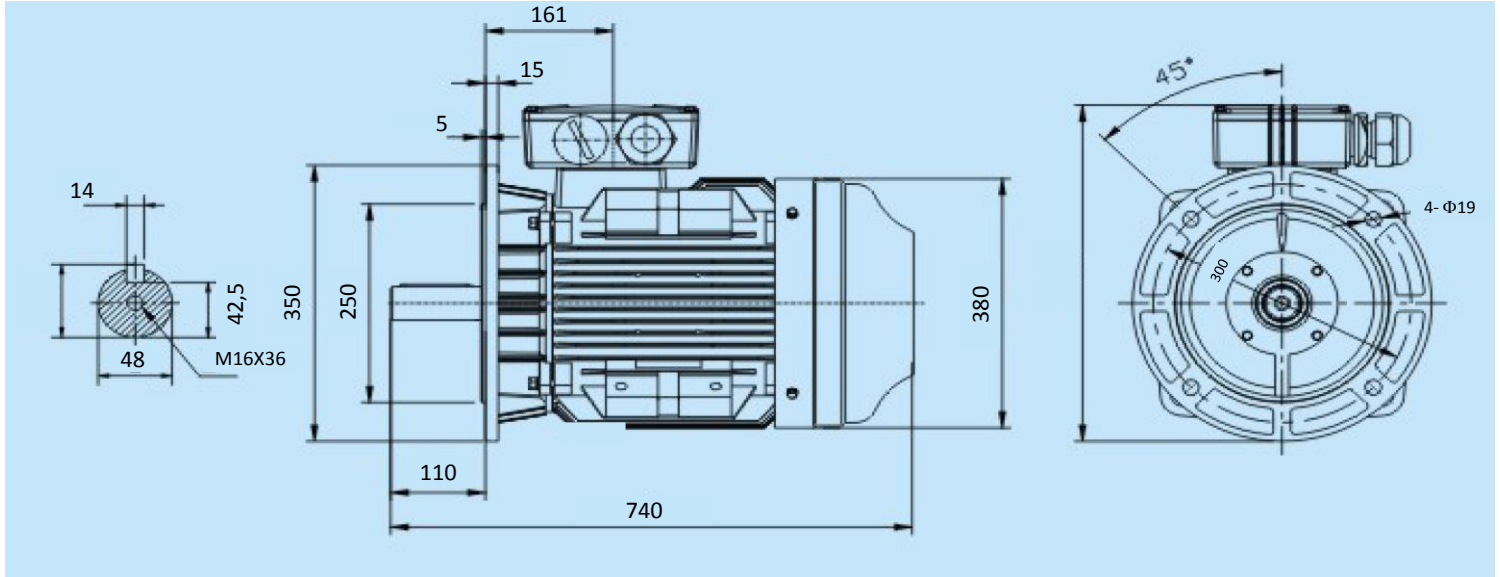


Réf: YE2-180M-4P 18,5KW 4P B5



Specification	IEC 60034-1	Efficiency class	
Manufacturer	SNE	Load data	100%
Motor type	YE2-180M-4P	Efficiency	91,2 %
Rated power	18,5 kW S1 duty	Power factor	0,86
Speed	1475 r.p.m	Sound pressure level (1m)	66,0 dB(A)
Voltage	400/690 V	Resistance R ₂₀ (open)	Ω
Frequency	50 Hz	Resistance R ₂₀	Ω
Connection		Locked rotor current I _s /I _r	7,7 A
400 V	34 A	Locked rotor torque M _s /M _r	2,2 Nm
690 V	19,6 A	Torque max	119,8 Nm
Enclosure	IP 55	Torque	2,3 Nm
Insulation Class	F/B	Rotor inertia J=GD ² /4	0,1659 Kg ^m ²
Max. coolant temp.	40°C		
Max. altitude	1 000 mtr, above sea level		
Comment			
Cable entries	2-M40X1,5 mm	Bearing DE	6311 /C3
Terminal box	200X160X80 mm	Bearing NDE	6311 /C3
Feature	Cast-iron		
Weight	186 kg		