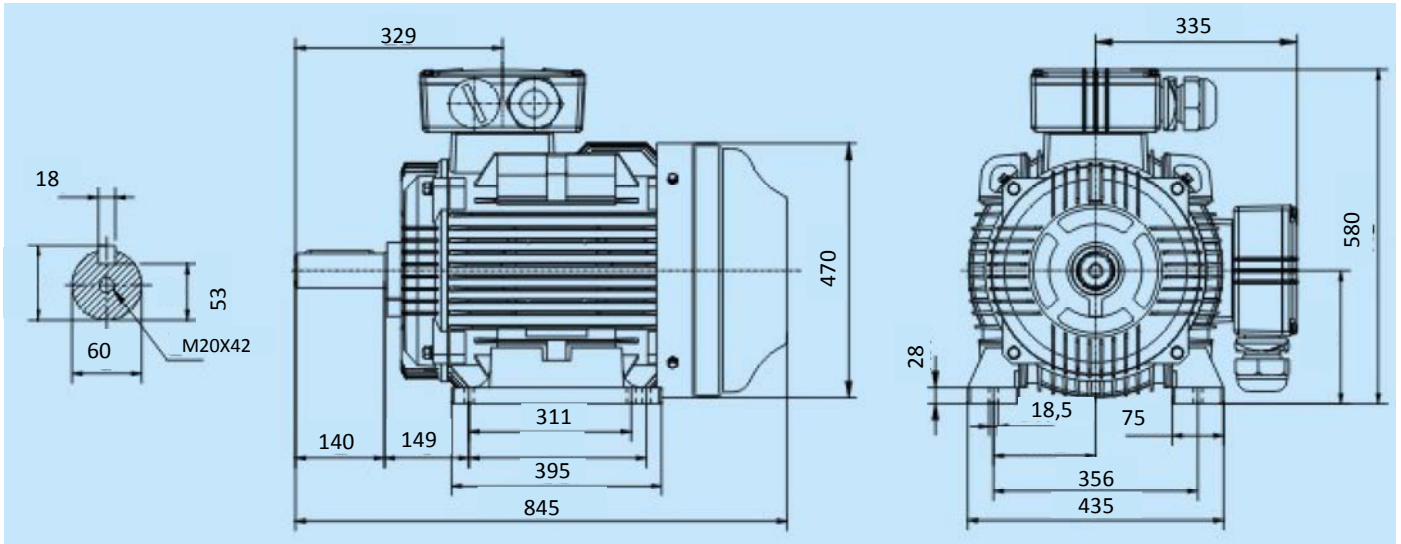


Réf: YE2-225M-4P 45KW 4P B3



Specification	IEC 60034-1	Efficiency class	
Manufacturer	SNE	Load data	100%
Motor type	YE2-225M-4P	Efficiency	93,1 %
Rated power	45 kW S1 duty	Power factor	0,86
Speed	1485 r.p.m	Sound pressure level (1m)	66,0 dB(A)
Voltage	400/690 V	Resistance R ₂₀ (open)	Ω
Frequency	50 Hz	Resistance R ₂₀	Ω
Connection		Locked rotor current	7,4
400 V	81,1 A	Locked rotor torque	2,2
690 V	46,8 A	Torque	289,4
Enclosure	IP 55	Torque max	2,3
Insulation Class	F/B	Rotor inertia J=GD ² /4	0,554 Kgm ²
Max. coolant temp.	40°C	Bearing DE	6313 /C3
Max. altitude	1 000 mtr, above sea level	Bearing NDE	6313 /C3
Comment			
Cable entries	2-M50X1,5 mm		
Terminal box	250X200X92 mm		
Feature	Cast-iron		
Weight	337 kg		