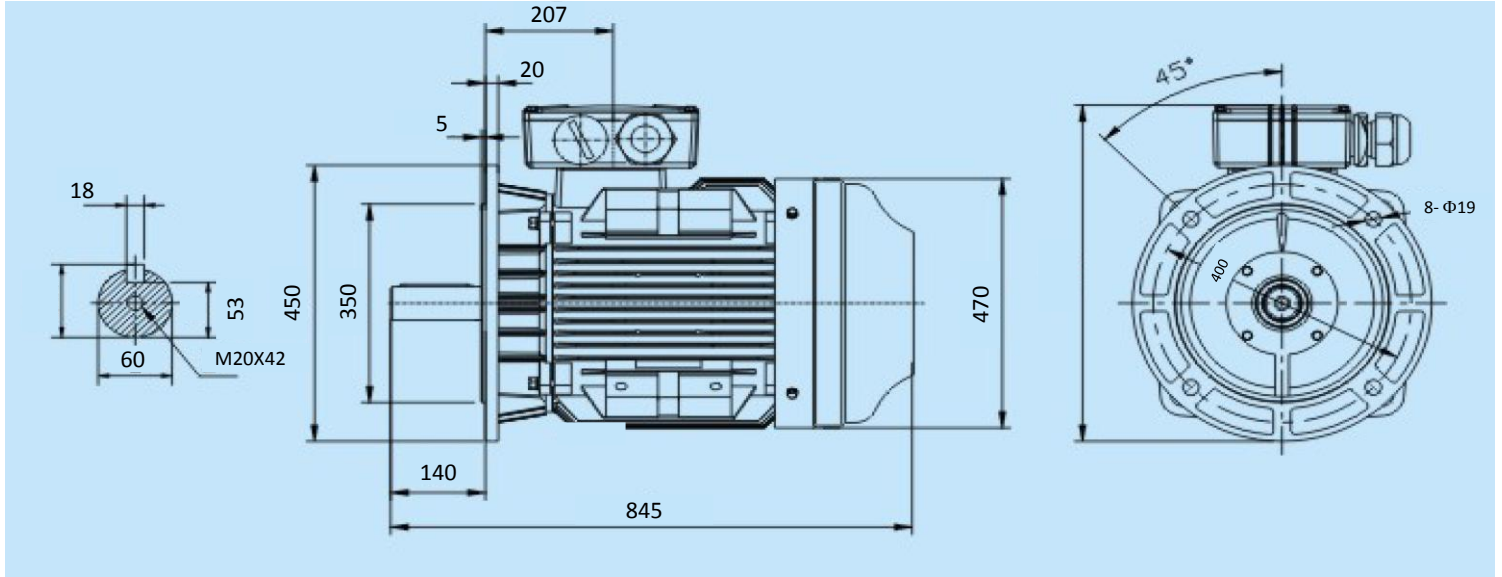


Réf: YE2-225M-4P 45KW 4P B5



Specification	IEC 60034-1	Efficiency class		
Manufacturer	SNE	Load data	100%	
Motor type	YE2-225M-4P	Efficiency	93,1 %	
Rated power	45 kW S1 duty	Power factor	0,86	
Speed	1480 r.p.m	Sound pressure level (1m)	78,0	dB(A)
Voltage	400/690 V	Resistance R ₂₀ (open)		Ω
Frequency	50 Hz	Resistance R ₂₀		Ω
Connection		Locked rotor current I _s /I _r	7,4	A
400 V	81,1 A	Locked rotor torque M _s /M _r	2,2	Nm
690 V	47 A	Torque	289,4	Nm
Enclosure	IP 55	Torque max	2,3	Nm
Insulation Class	F/B	Rotor inertia J=GD ² /4	0,635	Kgm ²
Max. coolant temp.	40°C			
Max. altitude	1 000 mtr, above sea level			
Comment				
Cable entries	2-M50X1,5 mm	Bearing DE	6312 /C3	
Terminal box	250X200X92 mm	Bearing NDE	6312 /C3	
Feature	Cast-iron			
Weight	337 kg			