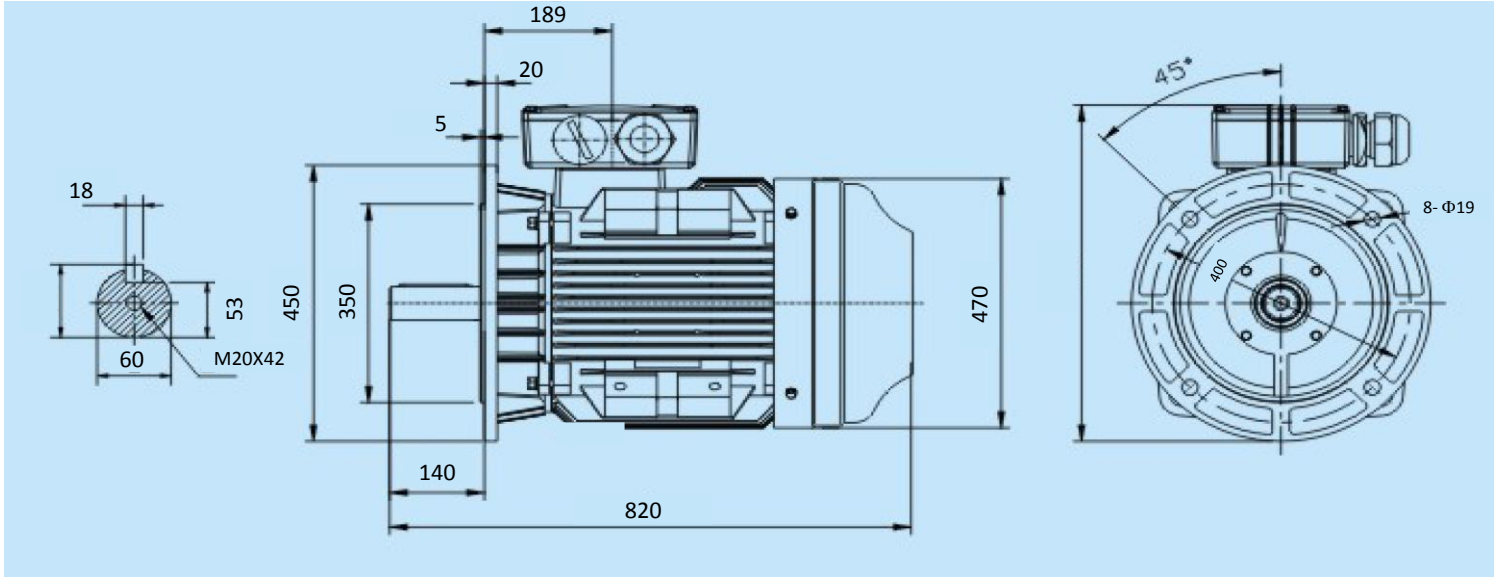


Réf: YE2-225S-4P 37KW 4P B5



| | | | |
|--------------------|-----------------------------------|---|---|
| Specification | IEC 60034-1 | Efficiency class | |
| Manufacturer | SNE | Load data | 100% |
| Motor type | YE2-225S-4P | Efficiency | 92,7 % |
| Rated power | 37 kW S1 duty | Power factor | 0,86 |
| Speed | 1485 r.p.m | Sound pressure level (1m) | 78,0 dB(A) |
| Voltage | 400/690 V | Resistance R ₂₀ (open) | Ω |
| Frequency | 50 Hz | Resistance R ₂₀ | Ω |
| Connection | | Locked rotor current I _s /I _r | 7,3 A |
| 400 V | 67 A | Locked rotor torque M _s /M _r | 2,2 Nm |
| 690 V | 39 A | Torque | 238,0 Nm |
| Enclosure | IP 55 | Torque max | 2,3 Nm |
| Insulation Class | F/B | Rotor inertia J=GD ² /4 | 0,538 Kg ^m ² |
| Max. coolant temp. | 40°C | Bearing DE | 6312 /C3 |
| Max. altitude | 1 000 mtr, above sea level | Bearing NDE | 6312 /C3 |
| Comment | | | |
| Cable entries | 2-M50X1,5 mm | | |
| Terminal box | 250X200X92 mm | | |
| Feature | Cast-iron | | |
| Weight | 308 kg | | |