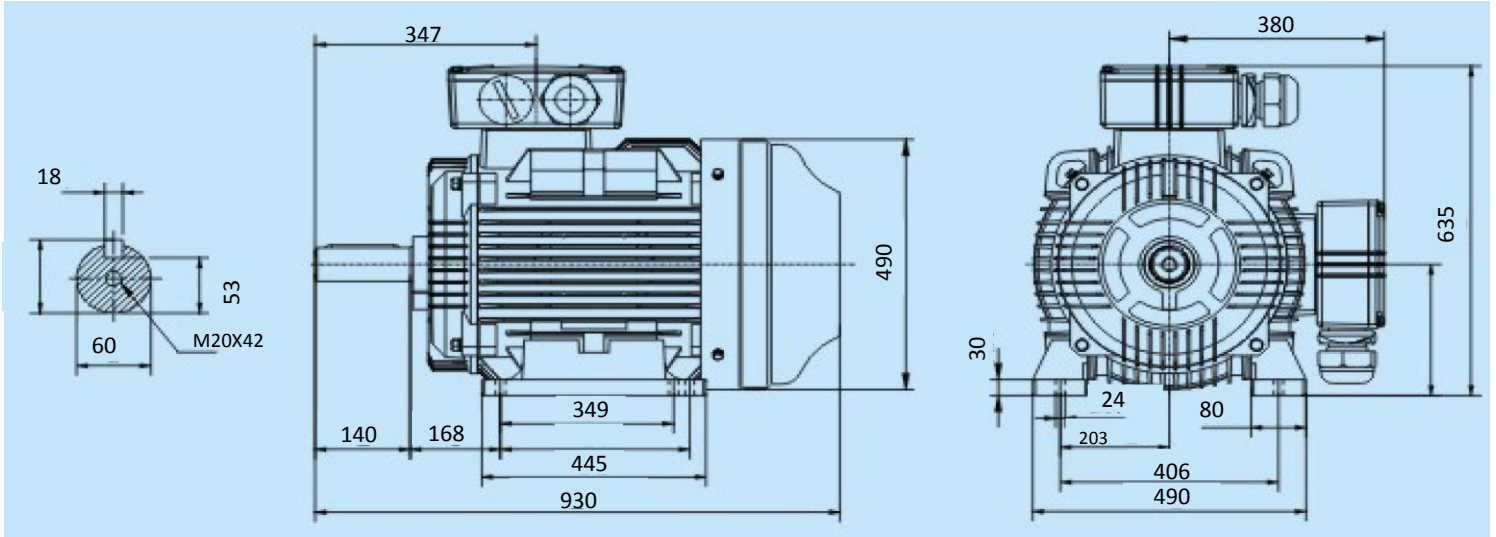


**Réf: YE2-250M-2P 55KW 2P B3**



Specification	<b>IEC 60034-1</b>		Efficiency class	
Manufacturer	<b>SNE</b>		Load data	100%
Motor type	<b>YE2-250M-2P</b>		Efficiency	<b>93,2</b> %
Rated power	<b>55</b> kW	<b>S1</b> duty	Power factor	<b>0,89</b>
Speed	<b>2965</b> r.p.m		Sound pressure level (1m)	<b>75,0</b> dB(A)
Voltage	<b>400/690</b> V		Resistance R <sub>20</sub> (open)	Ω
Frequency	<b>50</b> Hz		Resistance R <sub>20</sub>	Ω
Connection			Locked rotor current	<b>7,6</b>
400 V	<b>95,7</b> A		Locked rotor torque	<b>2,2</b>
690 V	<b>55,3</b> A		Torque	<b>176,6</b>
Enclosure	<b>IP 55</b>		Torque max	<b>2,3</b>
Insulation Class	<b>F/B</b>		Rotor inertia J=GD <sup>2</sup> /4	<b>0,42</b> Kg <sup>m</sup> <sup>2</sup>
Max. coolant temp.	<b>40°C</b>		Bearing DE	<b>6314 /C3</b>
Max. altitude	<b>1 000</b> mtr,	above sea level	Bearing NDE	<b>6314 /C3</b>
Comment				
Cable entries	<b>2-M63X1,5</b>	mm		
Terminal box		mm		
Feature	<b>Cast-iron</b>			
Weight	<b>388</b> kg			