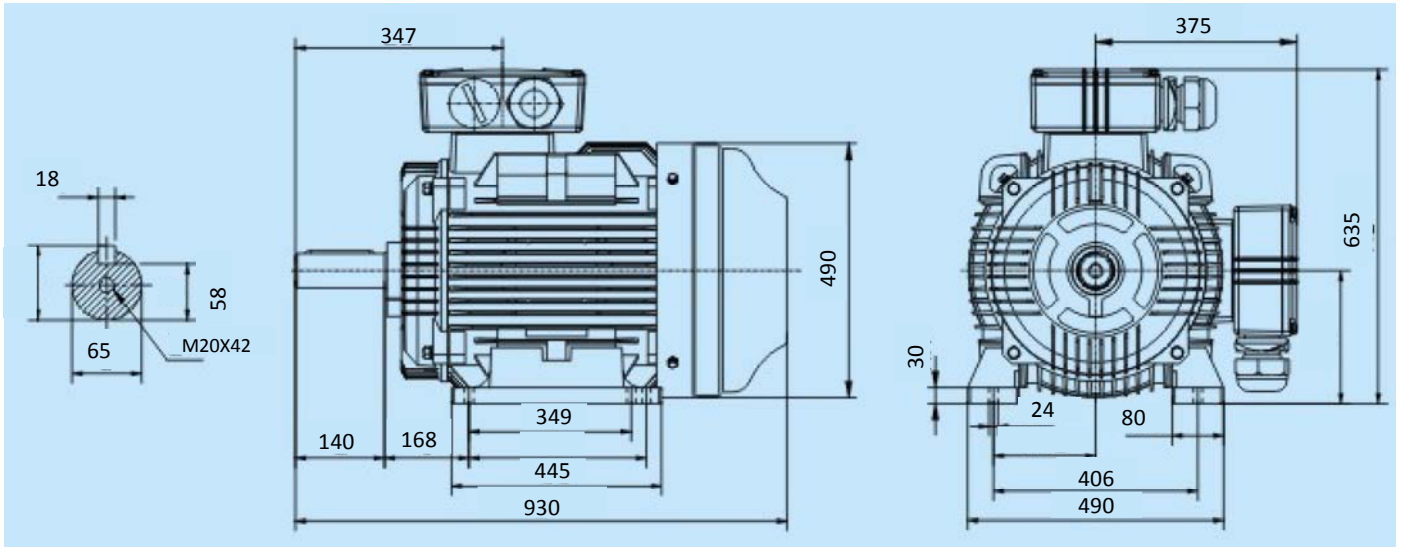


Réf: YE2-250M-4P 55KW 4P B3



| | | | |
|--------------------|-----------------------------------|------------------------------------|-------------------------------|
| Specification | IEC 60034-1 | Efficiency class | |
| Manufacturer | SNE | Load data | 100% |
| Motor type | YE2-250M-4P | Efficiency | 93,5 % |
| Rated power | 55 kW S1 duty | Power factor | 0,86 |
| Speed | 1480 r.p.m | Sound pressure level (1m) | 67,0 dB(A) |
| Voltage | 400/690 V | Resistance R ₂₀ (open) | Ω |
| Frequency | 50 Hz | Resistance R ₂₀ | Ω |
| Connection | | Locked rotor current | 7,4 |
| 400 V | 98,7 A | Locked rotor torque | 2,2 |
| 690 V | 57 A | Torque | 352,5 |
| Enclosure | IP 55 | Torque max | 2,3 |
| Insulation Class | F/B | Rotor inertia J=GD ² /4 | 0,751 Kgm ² |
| Max. coolant temp. | 40°C | Bearing DE | 6314 /C3 |
| Max. altitude | 1 000 mtr, above sea level | Bearing NDE | 6314 /C3 |
| Comment | | | |
| Cable entries | 2-M63X1,5 mm | | |
| Terminal box | 340X210X106 mm | | |
| Feature | Cast-iron | | |
| Weight | 410 kg | | |