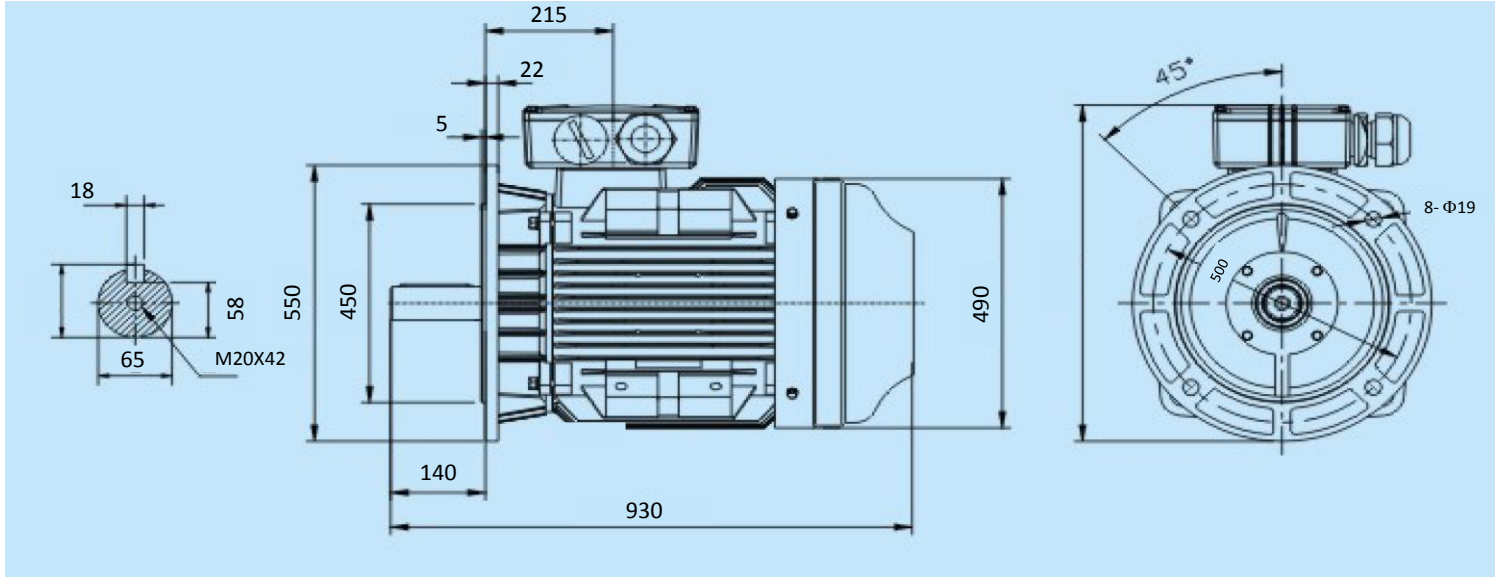


Réf: YE2-250M-4P 55KW 4P B5



Specification	IEC 60034-1	Efficiency class		
Manufacturer	SNE	Load data	100%	
Motor type	YE2-250M-4P	Efficiency	93,5 %	
Rated power	55 kW	Power factor	0,86	
Speed	1480 r.p.m			
Voltage	400/690 V	Sound pressure level (1m)	79,0	dB(A)
Frequency	50 Hz	Resistance R ₂₀ (open)		Ω
Connection		Resistance R ₂₀		Ω
400 V	98,7 A	Locked rotor current I _s /I _r	7,4	A
690 V	57 A	Locked rotor torque M _s /M _r	2,2	Nm
Enclosure	IP 55	Torque	352,5	Nm
Insulation Class	F/B	Torque max	2,3	Nm
Max. coolant temp.	40°C			
Max. altitude	1 000 mtr, above sea level	Rotor inertia J=GD ² /4	0,785	Kgm ²
Comment				
Cable entries	2-M63X1,5 mm			
Terminal box	340X210X106 mm			
Feature	Cast-iron	Bearing DE	6314 /C3	
Weight	410 kg	Bearing NDE	6314 /C3	