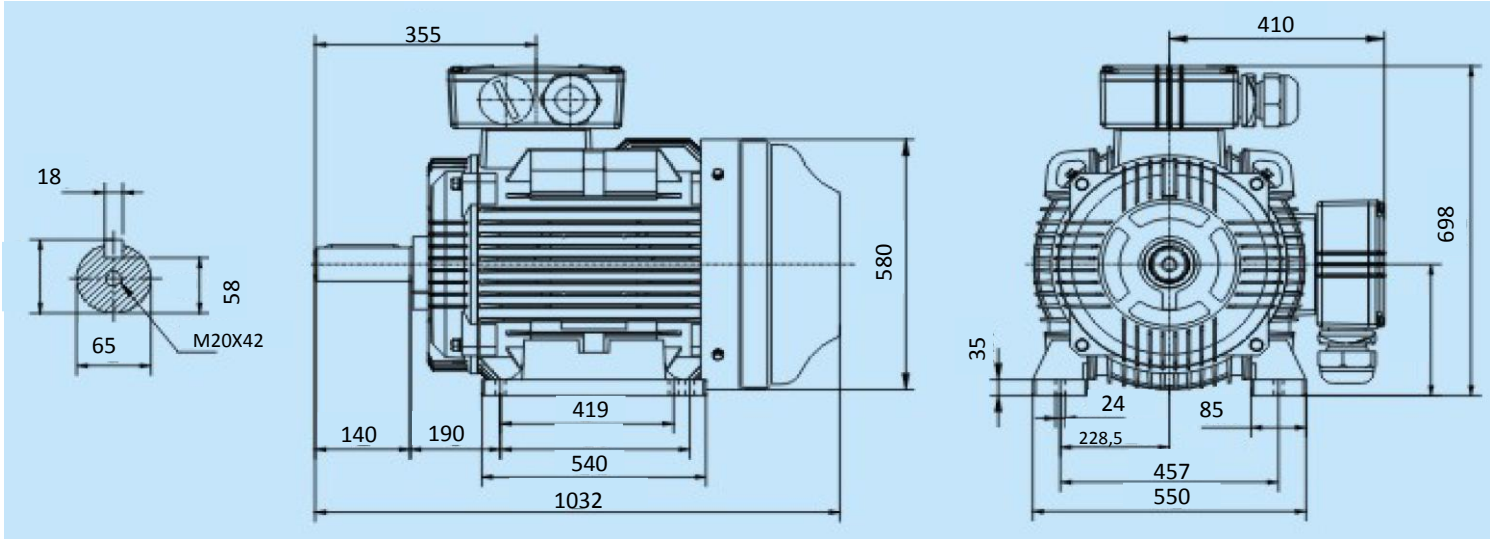


Réf: YE2-280M-2P 90KW 2P B3



Specification	IEC 60034-1	Efficiency class	
Manufacturer	SNE	Load data	100%
Motor type	YE2-280M-2P	Efficiency	94,1 %
Rated power	90 kW S1 duty	Power factor	0,89
Speed	2970 r.p.m	Sound pressure level (1m)	77,0 dB(A)
Voltage	400/690 V	Resistance R_{20} (open)	Ω
Frequency	50 Hz	Resistance R_{20}	Ω
Connection		Locked rotor current	7,0
400 V	155,1 A	Locked rotor torque	2,0
690 V	89,5 A	Torque	288,4
Enclosure	IP 55	Torque max	2,3
Insulation Class	F/B	Rotor inertia $J=GD^2/4$	1,04 Kg m^2
Max. coolant temp.	40°C	Bearing DE	6316 /C3
Max. altitude	1 000 mtr, above sea level	Bearing NDE	6316 /C3
Comment			
Cable entries	2-M63X1,5 mm		
Terminal box	340X210X106 mm		
Feature	Cast-iron		
Weight	551 kg		