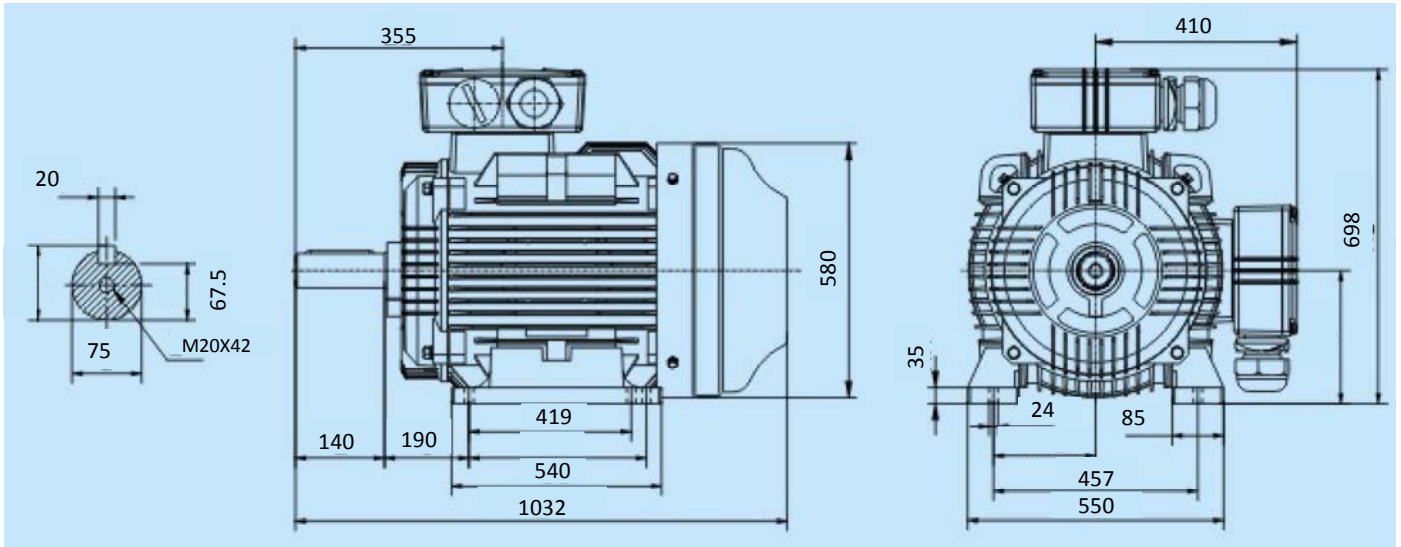


Réf: **YE2-280M-4P 90KW 4P B3**



Specification	IEC 60034-1	Efficiency class	
Manufacturer	SNE	Load data	100%
Motor type	YE2-280M-4P	Efficiency	94,2 %
Rated power	90 kW S1 duty	Power factor	0,88
Speed	1490 r.p.m	Sound pressure level (1m)	69,0 dB(A)
Voltage	400/690 V	Resistance R ₂₀ (open)	Ω
Frequency	50 Hz	Resistance R ₂₀	Ω
Connection		Locked rotor current	6,9
400 V	156,7 A	Locked rotor torque	2,2
690 V	90,5 A	Torque	576,8
Enclosure	IP 55	Torque max	2,3
Insulation Class	F/B	Rotor inertia J=GD ² /4	2,32 Kgm ²
Max. coolant temp.	40°C	Bearing DE	6316 /C3
Max. altitude	1 000 mtr, above sea level	Bearing NDE	6316 /C3
Comment			
Cable entries	2-M63X1,5 mm		
Terminal box	340X210X106 mm		
Feature	Cast-iron		
Weight	641 kg		