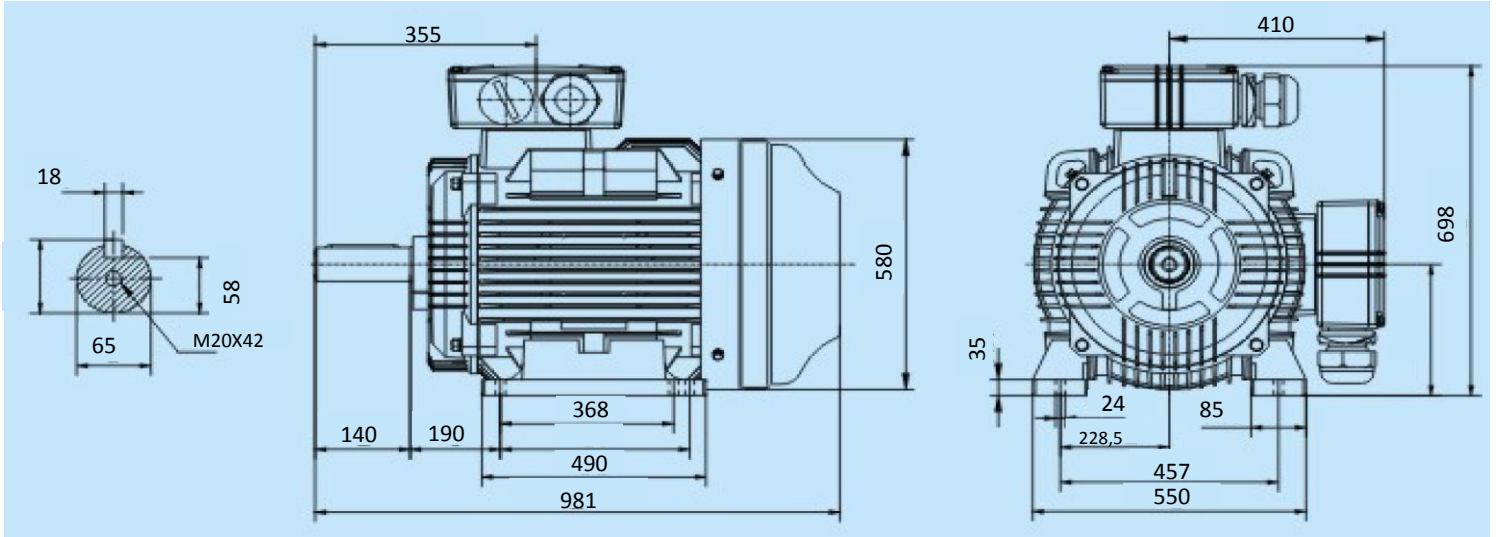


Réf: YE2-280S-2P 75KW 2P B3



Specification	IEC 60034-1	Efficiency class	
Manufacturer	SNE	Load data	100%
Motor type	YE2-280S-2P	Efficiency	93,8 %
Rated power	75 kW	Power factor	0,89
Speed	2980 r.p.m		
Voltage	400/690 V	Sound pressure level (1m)	77,0 dB(A)
Frequency	50 Hz	Resistance R ₂₀ (open)	Ω
Connection		Resistance R ₂₀	Ω
400 V	129,7 A	Locked rotor current	6,9
690 V	74,9 A	Locked rotor torque	2,0
Enclosure	IP 55	Torque	240,4
Insulation Class	F/B	Torque max	2,3
Max. coolant temp.	40°C		
Max. altitude	1 000 mtr, above sea level	Rotor inertia J=GD ² /4	0,986 Kg ^m ²
Comment			
Cable entries	2-M63X1,5 mm	Bearing DE	6316 /C3
Terminal box	340X210X106 mm	Bearing NDE	6316 /C3
Feature	Cast-iron		
Weight	501 kg		