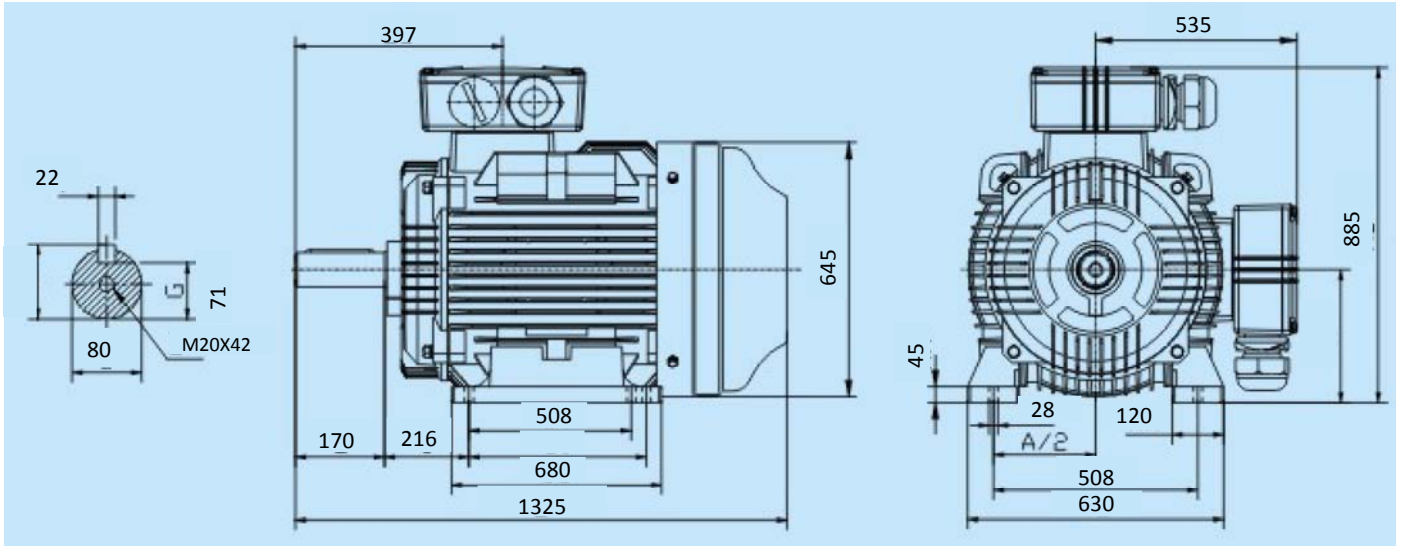


**Réf: YE2-315L14P 160KW 4P B3**



Specification	<b>IEC 60034-1</b>		Efficiency class	
Manufacturer	<b>SNE</b>		Load data	100%
Motor type	<b>YE2-315L1-4P</b>		Efficiency	<b>94,9</b> %
Rated power	<b>160</b> kW	<b>S1</b> duty	Power factor	<b>0,89</b>
Speed	<b>1490</b> r.p.m			
Voltage	<b>400/690</b> V		Sound pressure level (1m)	<b>74,0</b> dB(A)
Frequency	<b>50</b> Hz		Resistance R <sub>20</sub> (open)	Ω
Connection			Resistance R <sub>20</sub>	Ω
400 V	<b>273,4</b> A		Locked rotor current	<b>6,9</b>
690 V	<b>157,8</b> A		Locked rotor torque	<b>2,2</b>
Enclosure	<b>IP 55</b>		Torque	<b>1025,5</b>
Insulation Class	<b>F/B</b>		Torque max	<b>2,2</b>
Max. coolant temp.	<b>40°C</b>			
Max. altitude	<b>1 000</b> mtr,	above sea level	Rotor inertia J=GD <sup>2</sup> /4	<b>2,96</b> Kgm <sup>2</sup>
Comment				
Cable entries	<b>2-M63X1,5</b>	mm		
Terminal box	<b>413X258X165</b>	mm		
Feature	<b>Cast-iron</b>		Bearing DE	<b>Nu319</b>
Weight	<b>1096</b> kg		Bearing NDE	<b>6319/C3</b>