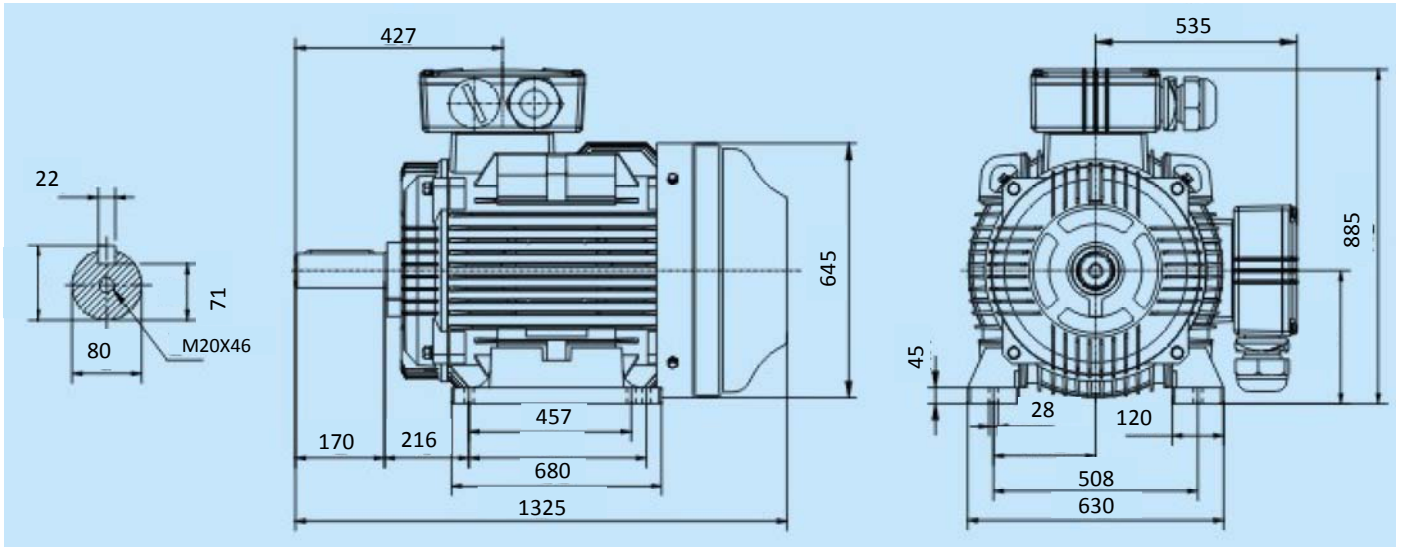


Réf: YE2-315M-4P 132KW 4P B3



Specification	IEC 60034-1	Efficiency class	
Manufacturer	SNE	Load data	100%
Motor type	YE2-315M-4P	Efficiency	94,7 %
Rated power	132 kW S1 duty	Power factor	0,88
Speed	1490 r.p.m	Sound pressure level (1m)	74,0 dB(A)
Voltage	400/690 V	Resistance R ₂₀ (open)	Ω
Frequency	50 Hz	Resistance R ₂₀	Ω
Connection		Locked rotor current	6,9
400 V	228,6 A	Locked rotor torque	2,2
690 V	132 A	Torque	846,0
Enclosure	IP 55	Torque max	2,2
Insulation Class	F/B	Rotor inertia J=GD ² /4	2,58 Kgm ²
Max. coolant temp.	40°C	Bearing DE	Nu319
Max. altitude	1 000 mtr, above sea level	Bearing NDE	6319/C3
Comment			
Cable entries	2-M63X1,5 mm		
Terminal box	413X258X165 mm		
Feature	Cast-iron		
Weight	999 kg		