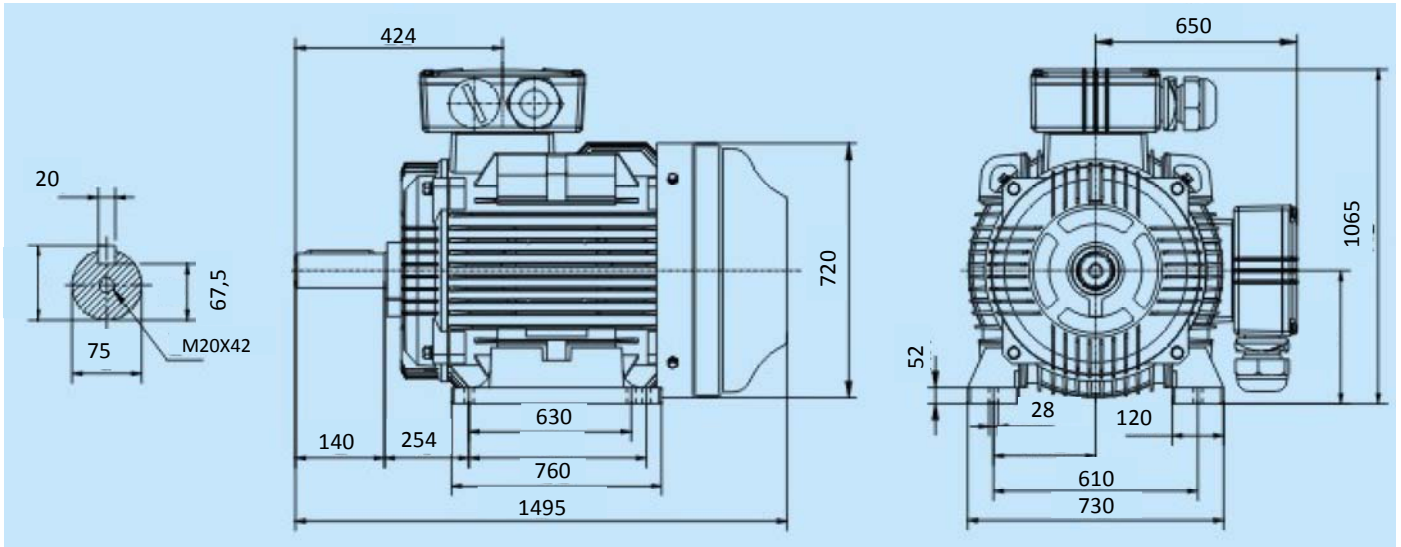


Réf: YE2-355L-2P 315KW 2P B3



Specification	IEC 60034-1		Efficiency class		
Manufacturer	SNE		Load data	100%	
Motor type	YE2-355L-2P		Efficiency	95,0 %	
Rated power	315 kW	S1 duty	Power factor	0,91	
Speed	2985 r.p.m		Sound pressure level (1m)	83,0	dB(A)
Voltage	400/690 V		Resistance R ₂₀ (open)		Ω
Frequency	50 Hz		Resistance R ₂₀		Ω
Connection			Locked rotor current	7,1	
400 V	525,9 A		Locked rotor torque	2,0	
690 V	303,6 A		Torque	1007,8	
Enclosure	IP 55		Torque max	2,2	
Insulation Class	F/B		Rotor inertia J=GD ² /4	3,995	Kgm ²
Max. coolant temp.	40°C				
Max. altitude	1 000 mtr,	above sea level			
Comment					
Cable entries	2-M63X1,5	mm	Bearing DE	6319 /C3	
Terminal box	461X300X190	mm	Bearing NDE	6319 /C3	
Feature	Cast-iron				
Weight	1801	kg			