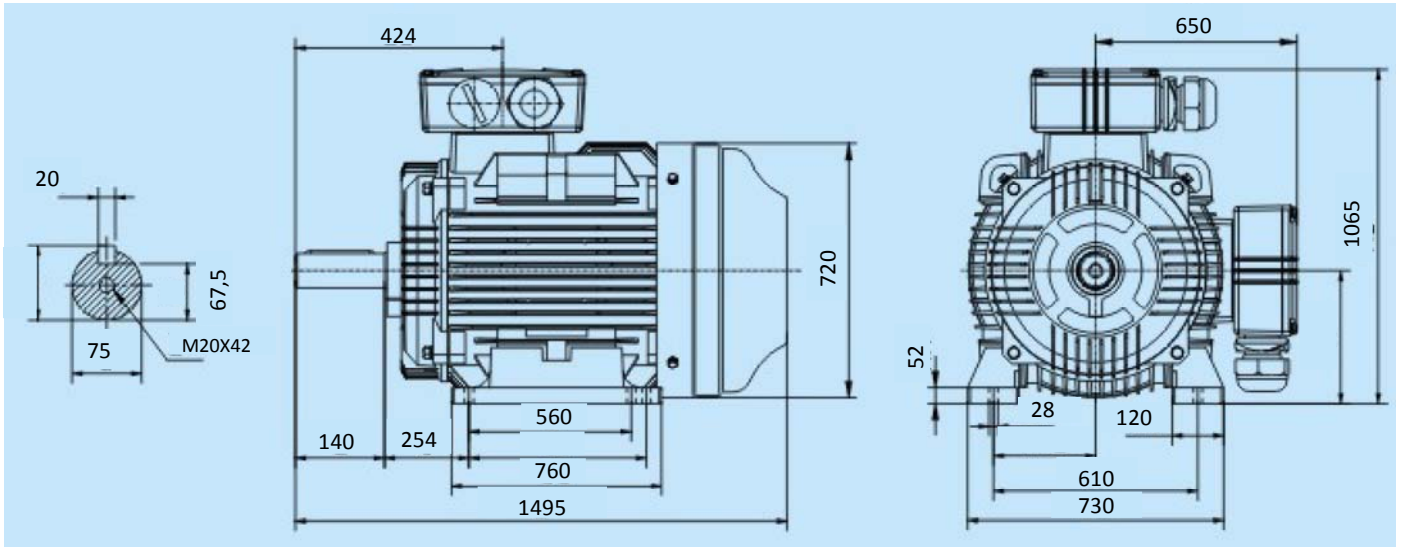


Réf: **YE2-355M-2P 250KW 2P B3**



Specification	IEC 60034-1	Efficiency class	
Manufacturer	SNE	Load data	100%
Motor type	YE2-355M-2P	Efficiency	95,0 %
Rated power	250 kW S1 duty	Power factor	0,91
Speed	2985 r.p.m	Sound pressure level (1m)	83,0 dB(A)
Voltage	400/690 V	Resistance R ₂₀ (open)	Ω
Frequency	50 Hz	Resistance R ₂₀	Ω
Connection		Locked rotor current	7,1
400 V	417,4 A	Locked rotor torque	1,6
690 V	241 A	Torque	2,2
Enclosure	IP 55	Torque max	
Insulation Class	F/B		
Max. coolant temp.	40°C	Rotor inertia J=GD ² /4	4,02 Kgm ²
Max. altitude	1 000 mtr, above sea level		
Comment			
Cable entries	2-M63X1,5 mm	Bearing DE	6319 /C3
Terminal box	461X300X190 mm	Bearing NDE	6319 /C3
Feature	Cast-iron		
Weight	1611 kg		