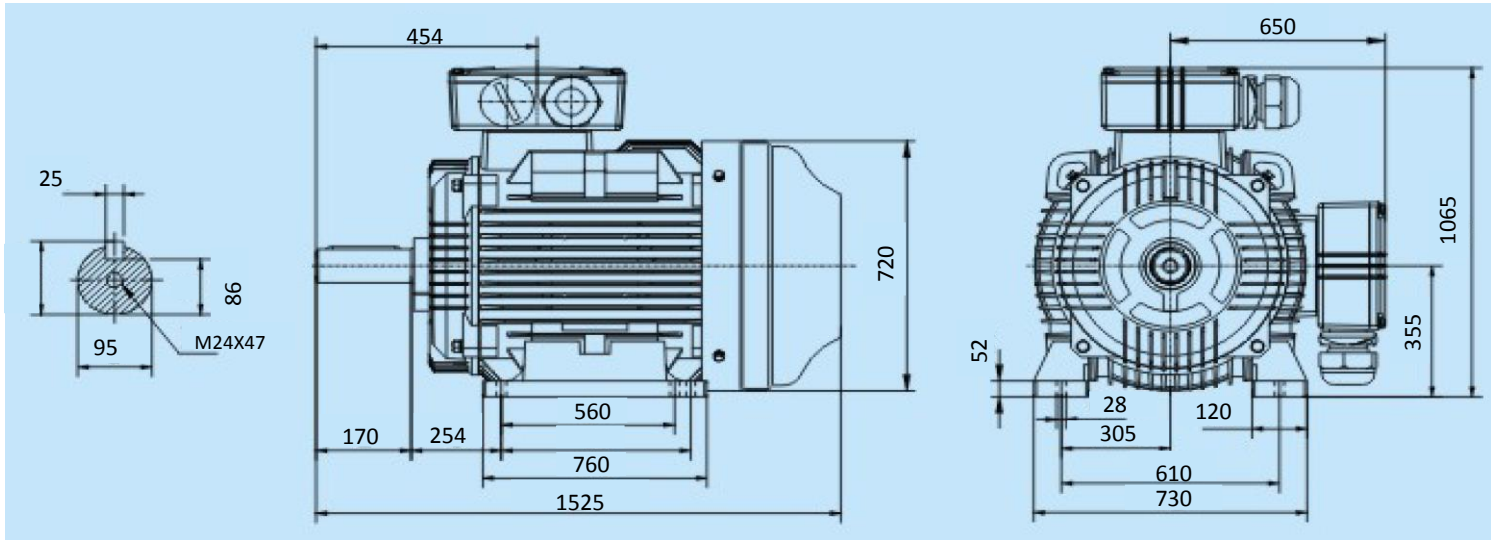


Réf: YE2-355M-4P 250KW 4P B3



Specification	IEC 60034-1	Efficiency class	
Manufacturer	SNE	Load data	100%
Motor type	YE2-355M-4P	Efficiency	95,1 %
Rated power	250 kW S1 duty	Power factor	0,90
Speed	1490 r.p.m	Sound pressure level (1m)	95,0 dB(A)
Voltage	400/690 V	Resistance R ₂₀ (open)	Ω
Frequency	50 Hz	Resistance R ₂₀	Ω
Connection		Locked rotor current I _s /I _r	6,9 A
400 V	A	Locked rotor torque M _s /M _r	2,2 Nm
690 V	A	Torque	1602,4 Nm
Enclosure	IP 55	Torque max	2,2 Nm
Insulation Class	F/B	Rotor inertia J=GD ² /4	7,364 Kg ^m ²
Max. coolant temp.	40°C	Bearing DE	Nu316
Max. altitude	1 000 mtr, above sea level	Bearing NDE	Nu319
Comment			
Cable entries	2-M63X1,5 mm		
Terminal box	461X300X190 mm		
Feature	Cast-iron		
Weight	1638 kg		