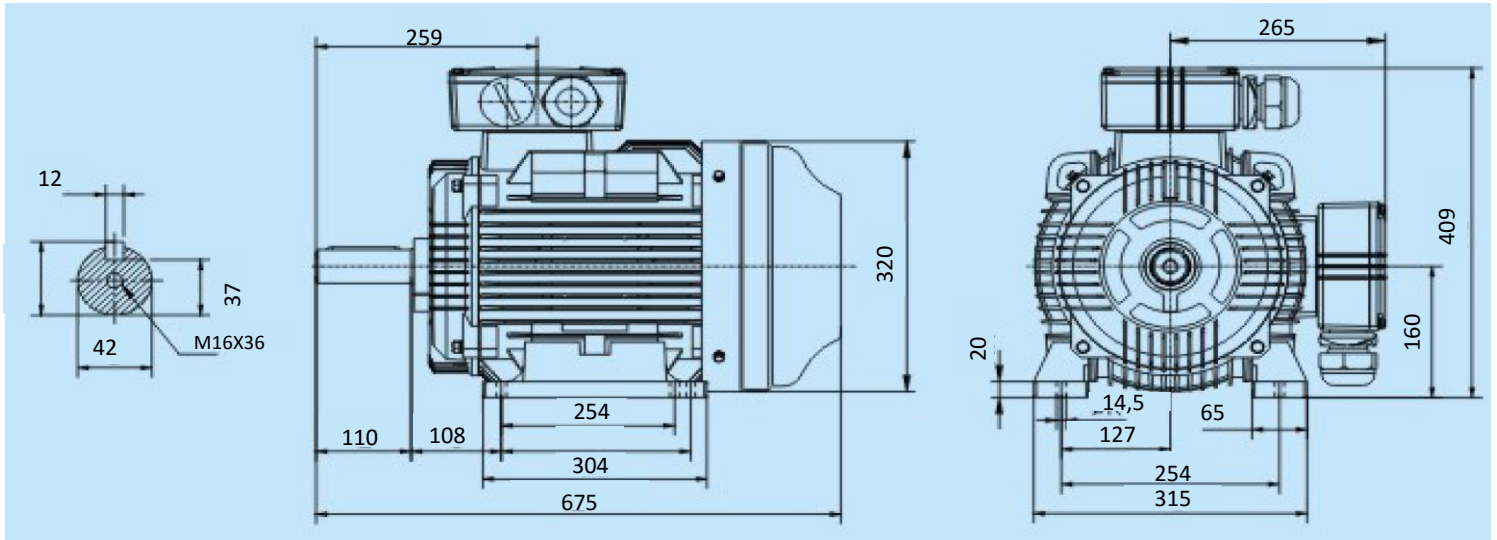


Réf: YX3-160L-2P 18,5KW 2P B3



Specification	IEC 60034-1		Efficiency class	
Manufacturer	SNE		Load data	100%
Motor type	YX3-160L-2P		Efficiency	92,4
Rated power	18,5 kW	S1 duty	Power factor	0,89
Speed	2945 r.p.m		Sound pressure level (1m)	73,0 dB(A)
Voltage	400/690 V		Resistance R ₂₀ (open)	Ω
Frequency	50 Hz		Resistance R ₂₀	Ω
Connection			Locked current Rated Current	8,2
400 V	32,5 A		Locked current Rated Torque	2,0
690 V	18,7 A		Torque	59,99
Enclosure	IP 55		Torque max / Rated Torque	2,3
Insulation Class	F/B		Rotor inertia J=GD ² /4	0,076 Kg ^m ²
Max. coolant temp.	40°C		Bearing DE	6309/C3
Max. altitude	1 000 mtr,	above sea level	Bearing NDE	6309/C3
Comment				
Cable entries	2-M40X1,5	mm		
Terminal box	200X160X80	mm		
Feature	Cast-iron			
Weight	151 kg			