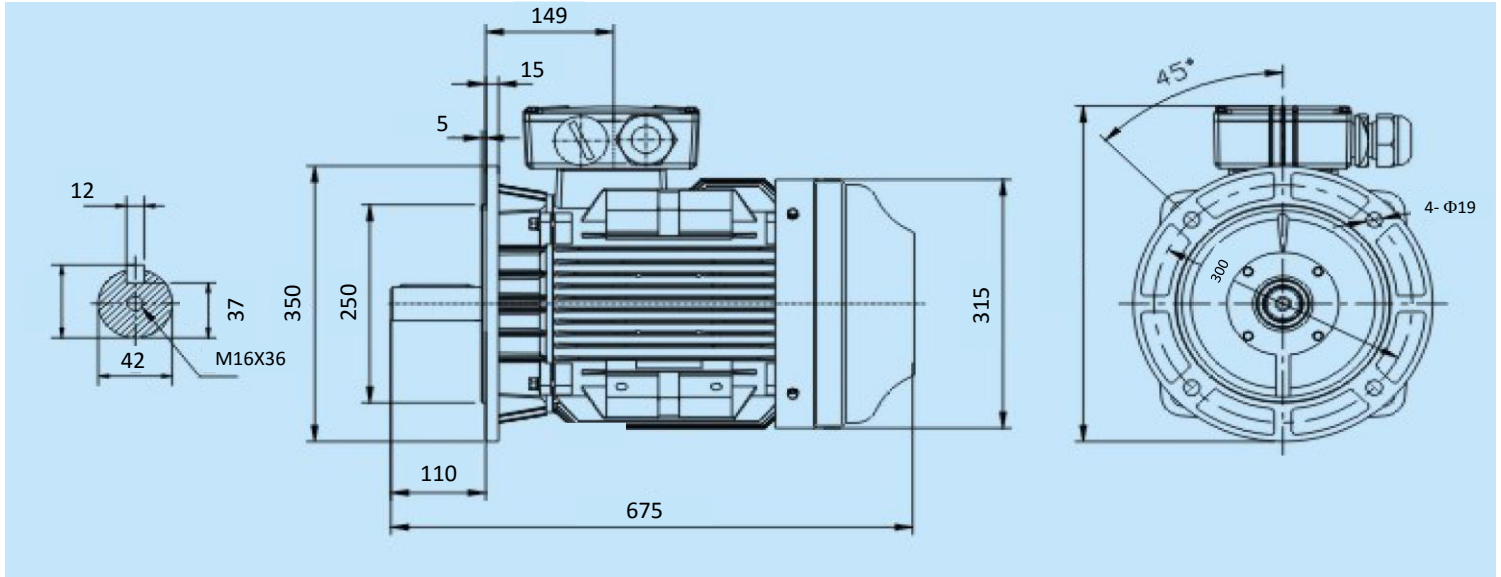


Réf: YX3-160L-4P 15KW 4P B5



Specification	IEC 60034-1		Efficiency class	
Manufacturer	SNE		Load data	100%
Motor type	YX3-160L-4P		Efficiency	92,1 %
Rated power	15 kW	S1 duty	Power factor	0,86
Speed	1470 r.p.m		Sound pressure level (1m)	62,0 dB(A)
Voltage	400/690 V		Resistance R ₂₀ (open)	Ω
Frequency	50 Hz		Resistance R ₂₀	Ω
Connection			Locked current Rated Current	7,8
400 V	27,4 A		Locked current Rated Torque	2,2
690 V	15,8 A		Torque	97,12
Enclosure	IP 55		Torque max / Rated Torque	2,3
Insulation Class	F/B		Rotor inertia J=GD ² /4	0,1239 Kg ^m ²
Max. coolant temp.	40°C		Bearing DE	6309 C3
Max. altitude	1 000 mtr, above sea level		Bearing NDE	6309 C3
Comment				
Cable entries	2-M40X1,5 mm			
Terminal box	200X160X80 mm			
Feature	Cast-iron			
Weight	147 kg			