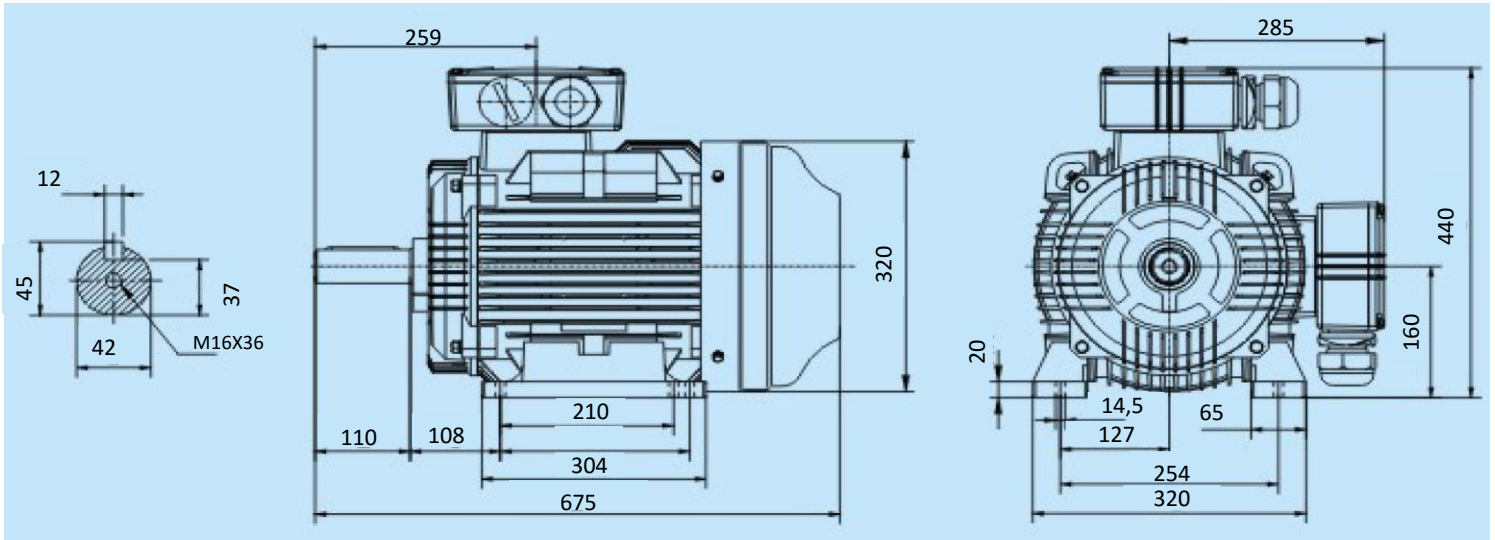


Réf: YX3-160M2-2P 15KW 2P B3



Specification	IEC 60034-1		Efficiency class	
Manufacturer	SNE		Load data	100%
Motor type	YX3-160M2-2P		Efficiency	91,9
Rated power	15 kW	S1 duty	Power factor	0,89
Speed	2950 r.p.m		Sound pressure level (1m)	73,0 dB(A)
Voltage	400/690 V		Resistance R ₂₀ (open)	Ω
Frequency	50 Hz		Resistance R ₂₀	Ω
Connection			Locked current Rated Current	8,1
400 V	26,5 A		Locked current Rated Torque	2,0
690 V	15,3 A		Torque	48,56
Enclosure	IP 55		Torque max / Rated Torque	2,3
Insulation Class	F/B		Rotor inertia J=GD ² /4	0,0654 Kg ^m ²
Max. coolant temp.	40°C		Bearing DE	6309C3
Max. altitude	1 000 mtr,	above sea level	Bearing NDE	6309C3
Comment				
Cable entries	2-M40X1,5	mm		
Terminal box	200X160X80	mm		
Feature	Cast-iron			
Weight	132 kg			