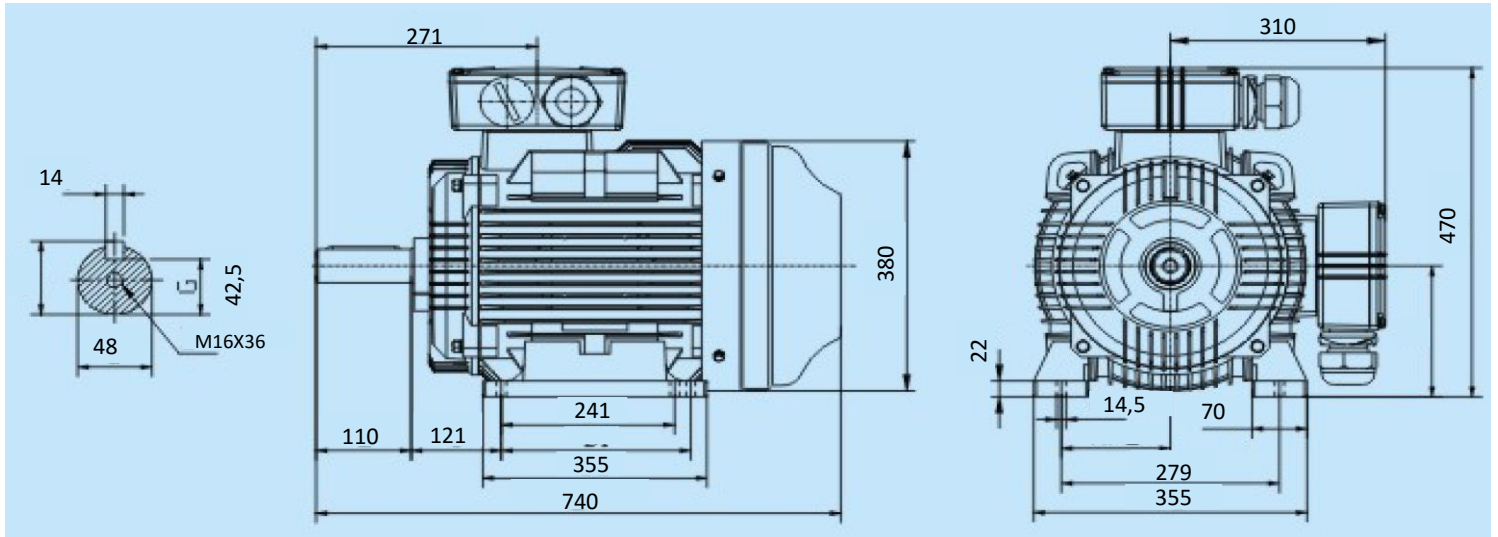


Réf: YX3-180L-4P 22KW 4P B3



Specification	IEC 60034-1		Efficiency class	
Manufacturer	SNE		Load data	100%
Motor type	YX3-180L-4P		Efficiency	93,0 %
Rated power	22 kW	S1 duty	Power factor	0,86
Speed	1475 r.p.m		Sound pressure level (1m)	62,0 dB(A)
Voltage	400/690 V		Resistance R ₂₀ (open)	Ω
Frequency	50 Hz		Resistance R ₂₀	Ω
Connection			Locked current Rated Current	7,8
400 V	39,7 A		Locked current Rated Torque	2,0
690 V	22,9 A		Torque	142,44
Enclosure	IP 55		Torque max / Rated Torque	2,3
Insulation Class	F/B		Rotor inertia J=GD ² /4	0,2242 Kg ^m ²
Max. coolant temp.	40°C		Bearing DE	6311 /C3
Max. altitude	1 000 mtr,	above sea level	Bearing NDE	6311 /C3
Comment				
Cable entries	2-M40X1,5	mm		
Terminal box	200X160X80	mm		
Feature	Cast-iron			
Weight	227 kg			