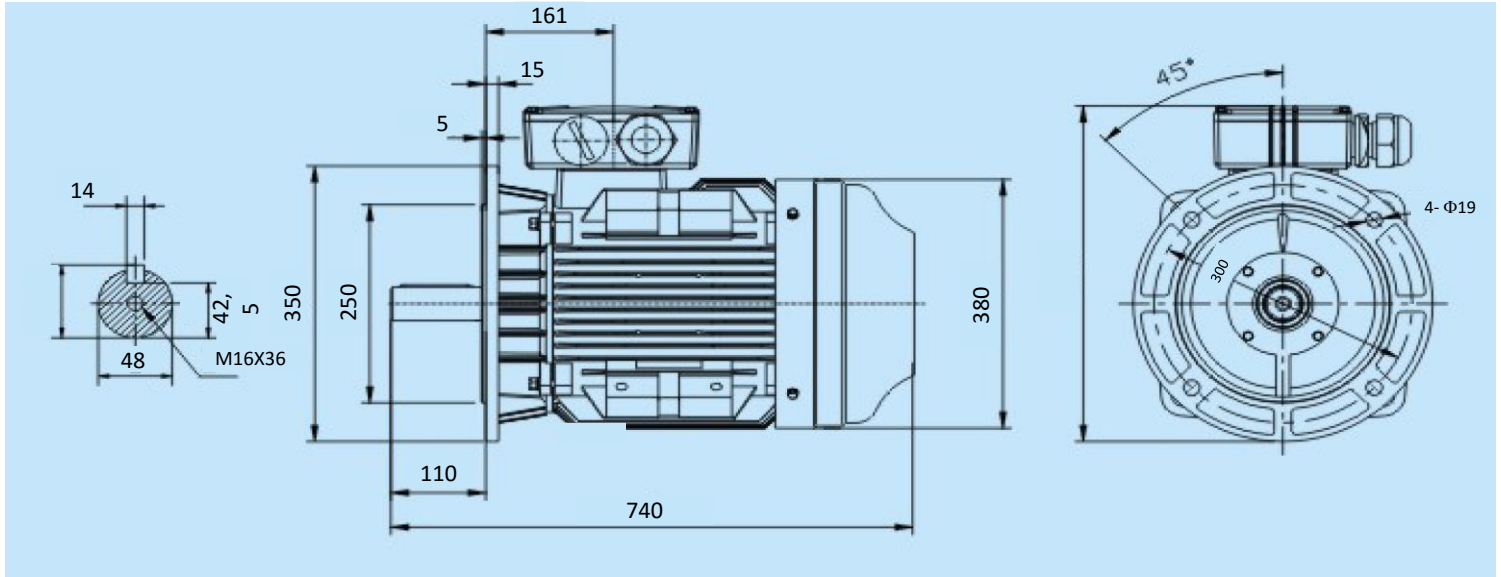


Réf: YX3-180L-4P 22KW 4P B5



Specification	IEC 60034-1		Efficiency class	
Manufacturer	SNE		Load data	100%
Motor type	YX3-180L-4P		Efficiency	93,0 %
Rated power	22 kW	S1 duty	Power factor	0,86
Speed	1475 r.p.m		Sound pressure level (1m)	62,0 dB(A)
Voltage	400/690 V		Resistance R_{20} (open)	Ω
Frequency	50 Hz		Resistance R_{20}	Ω
Connection			Locked current Rated Current	7,8
400 V	39,7 A		Locked current Rated Torque	2,0
690 V	22,9 A		Torque	142,44
Enclosure	IP 55		Torque max / Rated Torque	2,3
Insulation Class	F/B		Rotor inertia $J=GD^2/4$	0,2242 Kg m^2
Max. coolant temp.	40°C		Bearing DE	6311 /C3
Max. altitude	1 000 mtr, above sea level		Bearing NDE	6311 /C3
Comment				
Cable entries	2-M40X1,5 mm			
Terminal box	200X160X80 mm			
Feature	Cast-iron			
Weight	227 kg			