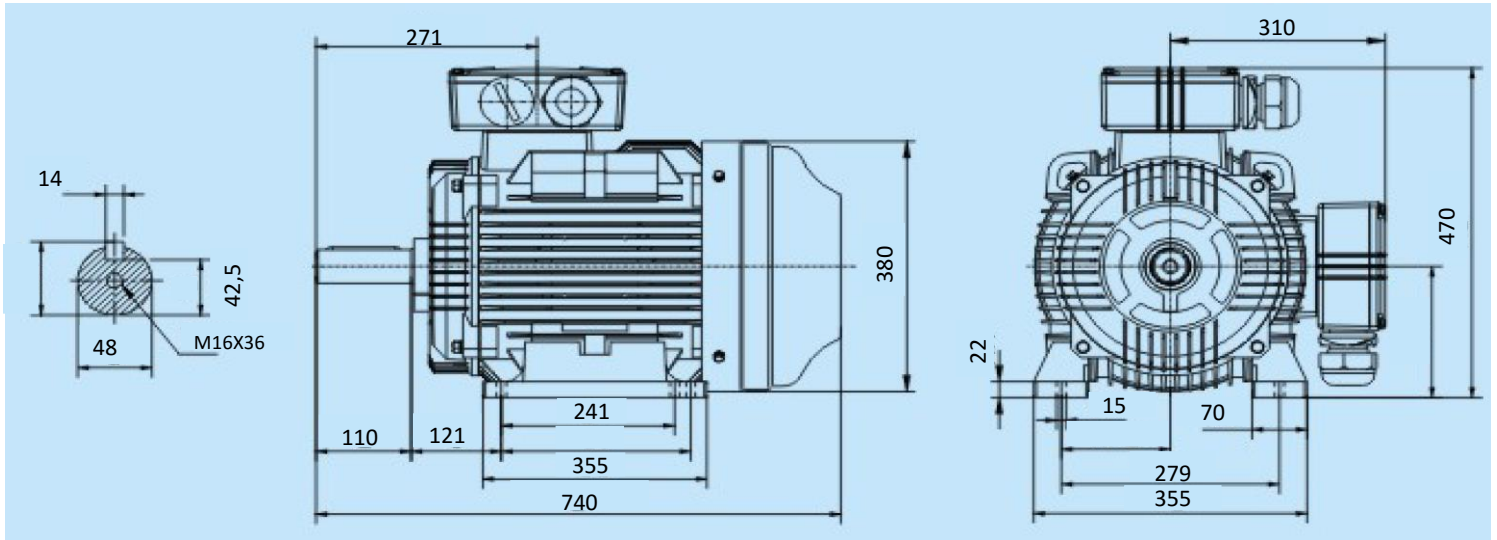


**Réf: YX3-180M-2P 22KW 2P B3**



Specification	<b>IEC 60034-1</b>		Efficiency class	
Manufacturer	<b>SNE</b>		Load data	100%
Motor type	<b>YX3-180M-2P</b>		Efficiency	<b>92,7</b> %
Rated power	<b>22</b> kW	<b>S1</b> duty	Power factor	<b>0,89</b>
Speed	<b>2955</b> r.p.m		Sound pressure level (1m)	<b>69,0</b> dB(A)
Voltage	<b>400/690</b> V		Resistance R <sub>20</sub> (open)	Ω
Frequency	<b>50</b> Hz		Resistance R <sub>20</sub>	Ω
Connection			Locked current Rated Current	<b>8,2</b>
400 V	<b>38,5</b> A		Locked current Rated Torque	<b>2,0</b>
690 V	<b>22,2</b> A		Torque	<b>71,1</b>
Enclosure	<b>IP 55</b>		Torque max / Rated Torque	<b>2,3</b>
Insulation Class	<b>F/B</b>		Rotor inertia	J=GD <sup>2</sup> /4 <b>0,1183</b> Kgm <sup>2</sup>
Max. coolant temp.	<b>40°C</b>		Bearing DE	<b>6311 /C3</b>
Max. altitude	<b>1 000</b> mtr,	above sea level	Bearing NDE	<b>6311 /C3</b>
Comment				
Cable entries	<b>2-M40X1,5</b>	mm		
Terminal box	<b>200X160X80</b>	mm		
Feature	<b>Cast-iron</b>			
Weight	<b>209,5</b> kg			