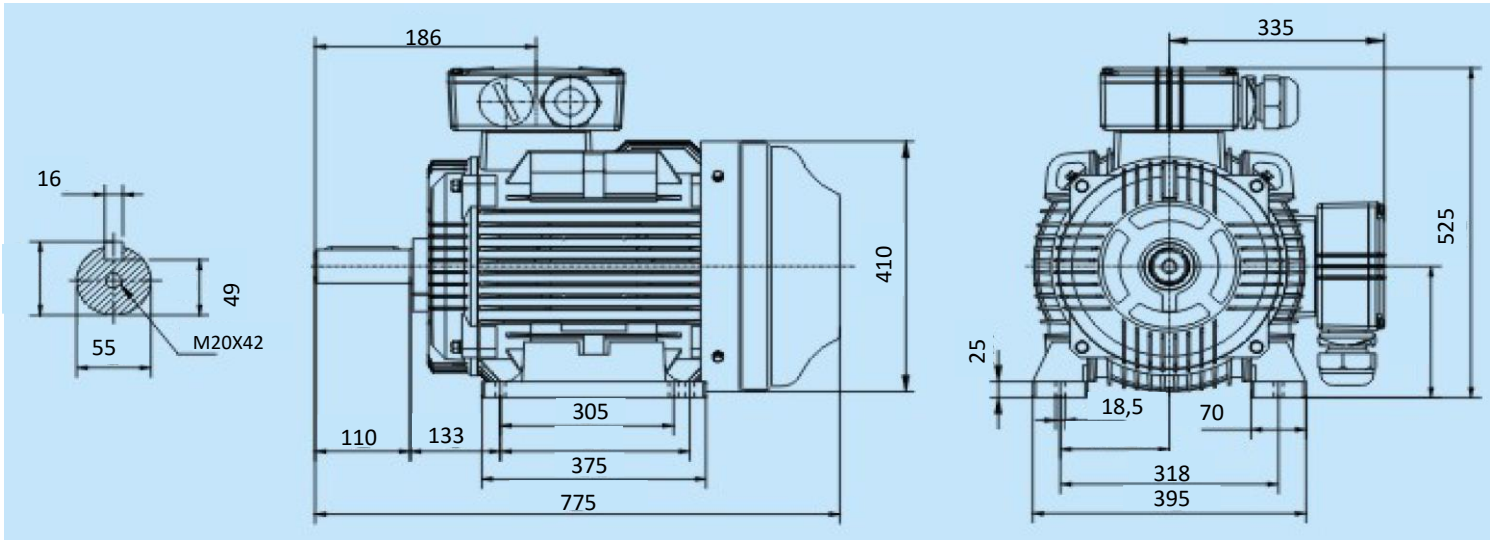


Réf: YX3-200L2-2P 37KW 2P B3



Specification	IEC 60034-1		Efficiency class	
Manufacturer	SNE		Load data	100%
Motor type	YX3-200L2-2P		Efficiency	93,7 %
Rated power	37 kW	S1 duty	Power factor	0,89
Speed	2965 r.p.m		Sound pressure level (1m)	72,0 dB(A)
Voltage	400/690 V		Resistance R ₂₀ (open)	Ω
Frequency	50 Hz		Resistance R ₂₀	Ω
Connection			Locked current Rated Current	7,6
400 V	64 A		Locked current Rated Torque	2,0
690 V	36,9 A		Torque	119,17
Enclosure	IP 55		Torque max / Rated Torque	2,3
Insulation Class	F/B		Rotor inertia J=GD ² /4	0,1945 Kgm ²
Max. coolant temp.	40°C		Bearing DE	6312C3
Max. altitude	1 000 mtr,	above sea level	Bearing NDE	6312C3
Comment				
Cable entries	2-M50X1,5	mm		
Terminal box	250X200X92	mm		
Feature	Cast-iron			
Weight	265 kg			