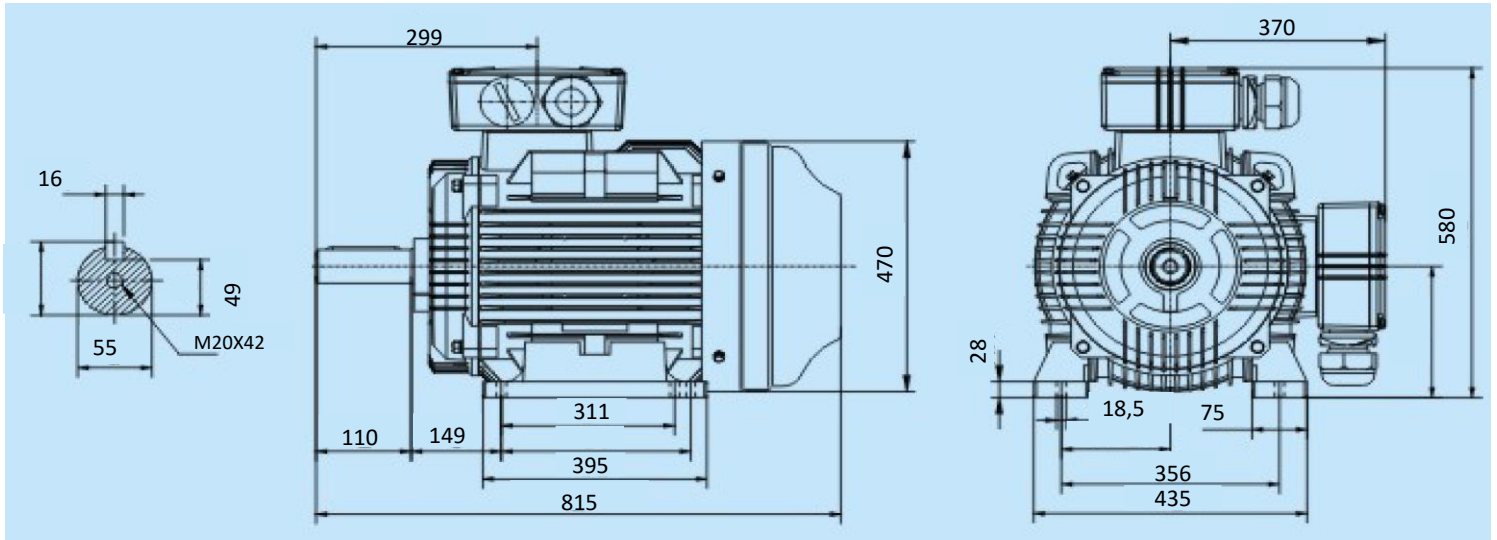


Réf: YX3-225M-2P 45KW 2P B3



Specification	IEC 60034-1		Efficiency class	
Manufacturer	SNE		Load data	100%
Motor type	YX3-225M-2P		Efficiency	94,0 %
Rated power	45 kW	S1 duty	Power factor	0,90
Speed	2965 r.p.m		Sound pressure level (1m)	75,0 dB(A)
Voltage	400/690 V		Resistance R ₂₀ (open)	Ω
Frequency	50 Hz		Resistance R ₂₀	Ω
Connection			Locked current Rated Current	7,7
400 V	76,8 A		Locked current Rated Torque	2,0
690 V	44,3 A		Torque	144,94
Enclosure	IP 55		Torque max / Rated Torque	2,3
Insulation Class	F/B		Rotor inertia	J=GD ² /4 0,3097 Kg ^m ²
Max. coolant temp.	40°C		Bearing DE	6312 /C3
Max. altitude	1 000 mtr,	above sea level	Bearing NDE	6312 /C3
Comment				
Cable entries	2-M50X1,5	mm		
Terminal box	250X200X92	mm		
Feature	Cast-iron			
Weight	345 kg			