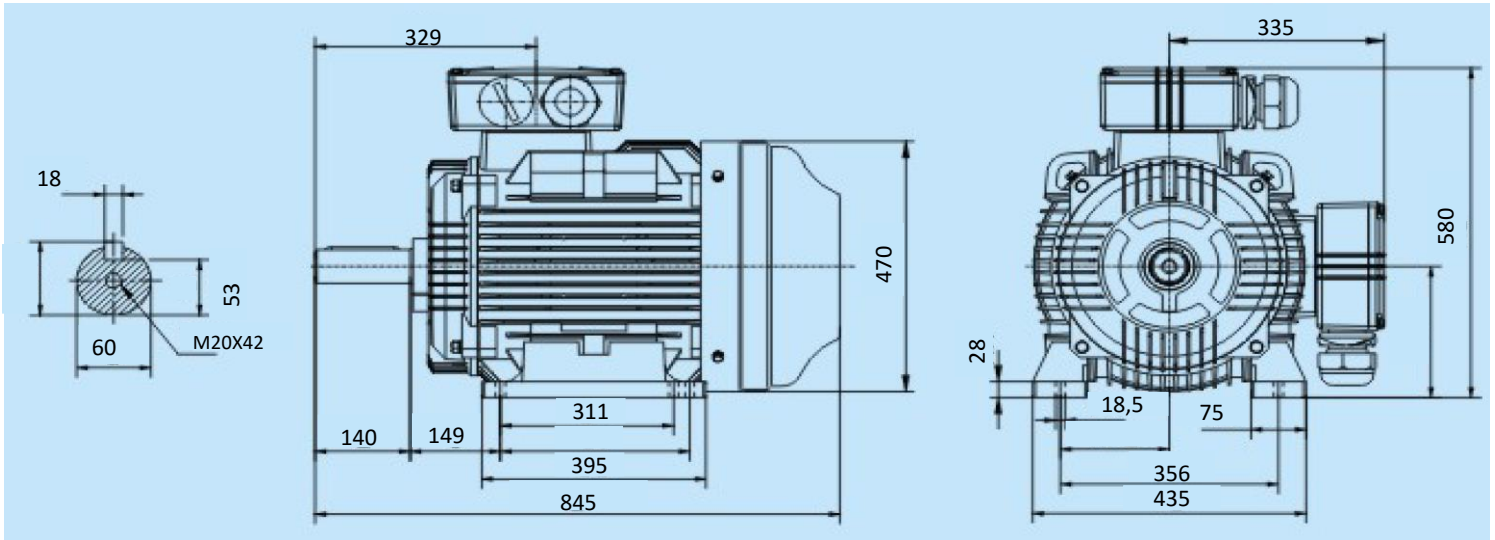


Réf: **YX3-225M-4P 45KW 4P B3**



Specification	<b>IEC 60034-1</b>	Efficiency class	
Manufacturer	<b>SNE</b>	Load data	100%
Motor type	<b>YX3-225M-4P</b>	Efficiency	<b>94,2 %</b>
Rated power	<b>45</b> kW	Power factor	<b>0,86</b>
Speed	<b>1480</b> r.p.m		
Voltage	<b>400/690</b> V	Sound pressure level (1m)	<b>66,0</b> dB(A)
Frequency	<b>50</b> Hz	Resistance R <sub>20</sub> (open)	Ω
Connection		Resistance R <sub>20</sub>	Ω
400 V	<b>80,2</b> A	Locked current Rated Current	<b>7,4</b>
690 V	<b>46,3</b> A	Locked current Rated Torque	<b>2,0</b>
Enclosure	<b>IP 55</b>	Torque	<b>290,37</b>
Insulation Class	<b>F/B</b>	Torque max / Rated Torque	<b>2,3</b>
Max. coolant temp.	<b>40°C</b>		
Max. altitude	<b>1 000</b> mtr, above sea level	Rotor inertia J=GD <sup>2</sup> /4	<b>0,6351</b> Kg <sup>m</sup> <sup>2</sup>
Comment			
Cable entries	<b>2-M50X1,5</b> mm		
Terminal box	<b>250X200X92</b> mm		
Feature	<b>Cast-iron</b>	Bearing DE	<b>6313 /C3</b>
Weight	<b>353</b> kg	Bearing NDE	<b>6313 /C3</b>