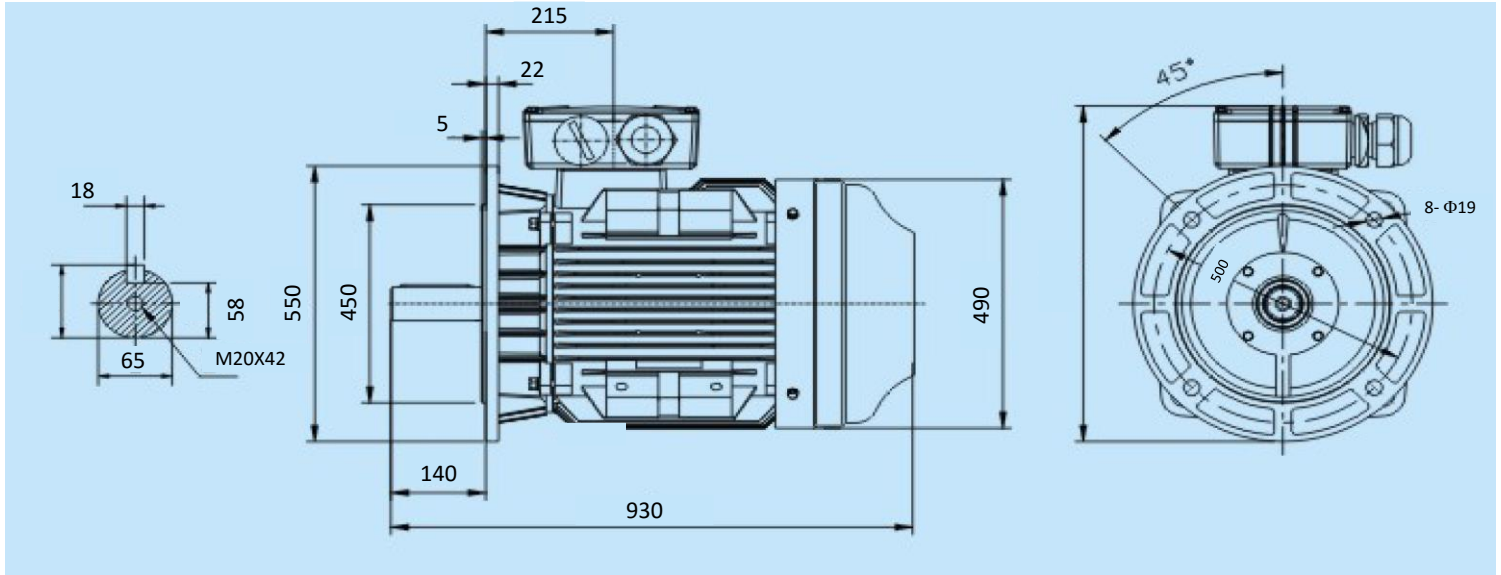


Réf: **YX3-250M-4P 55KW 4P B5**



Specification	IEC 60034-1	Efficiency class	
Manufacturer	SNE	Load data	100%
Motor type	YX3-250M-4P	Efficiency	94,6 %
Rated power	55 kW S1 duty	Power factor	0,86
Speed	1485 r.p.m	Sound pressure level (1m)	67,0 dB(A)
Voltage	400/690 V	Resistance R_{20} (open)	Ω
Frequency	50 Hz	Resistance R_{20}	Ω
Connection		Locked current Rated Current	7,4
400 V	97,6 A	Locked current Rated Torque	2,2
690 V	56,3 A	Torque	353,7
Enclosure	IP 55	Torque max / Rated Torque	2,3
Insulation Class	F/B	Rotor inertia $J=GD^2/4$	0,8994 Kg m^2
Max. coolant temp.	40°C	Bearing DE	6314 /C3
Max. altitude	1 000 mtr, above sea level	Bearing NDE	6314 /C3
Comment			
Cable entries	2-M63X1,5 mm		
Terminal box	340X210X106 mm		
Feature	Cast-iron		
Weight	476 kg		