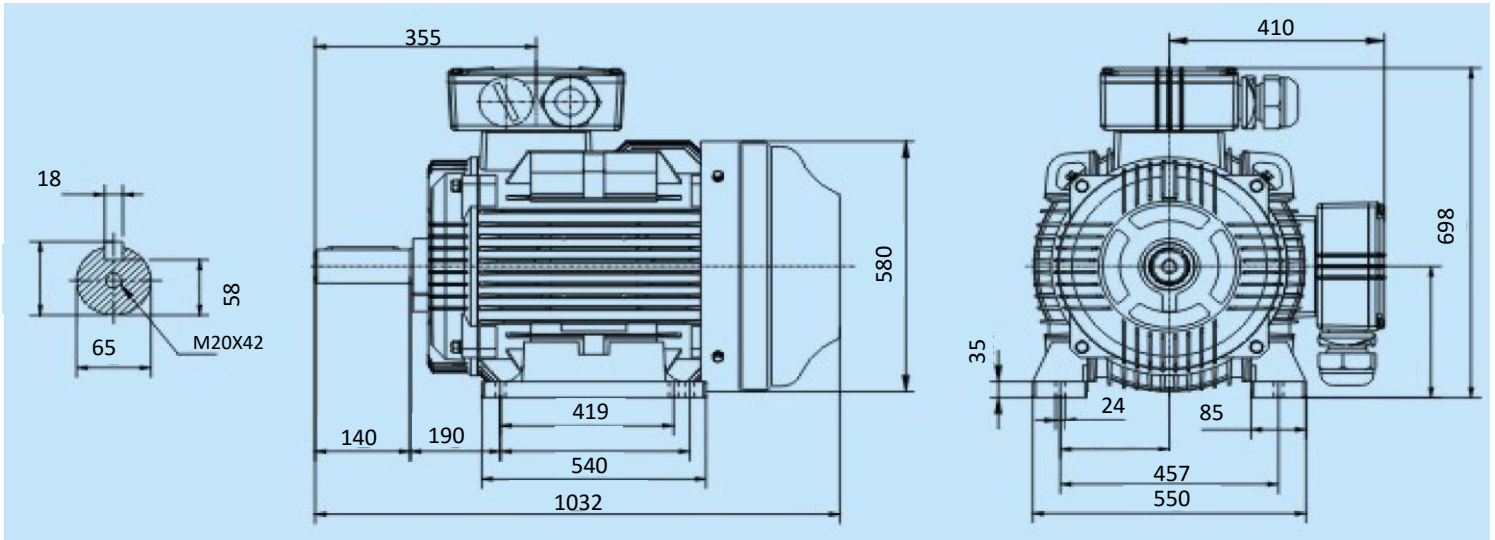


Réf: YX3-280M-2P 90KW 2P B3



Specification	IEC 60034-1	Efficiency class	
Manufacturer	SNE	Load data	100%
Motor type	YX3-280M-2P	Efficiency	95,0 %
Rated power	90 kW S1 duty	Power factor	0,90
Speed	2975 r.p.m	Sound pressure level (1m)	77,0 dB(A)
Voltage	400/690 V	Resistance R ₂₀ (open)	Ω
Frequency	50 Hz	Resistance R ₂₀	Ω
Connection		Locked current Rated Current	7,1
400 V	151,9 A	Locked current Rated Torque	1,8
690 V	87,6 A	Torque	288,91
Enclosure	IP 55	Torque max / Rated Torque	2,3
Insulation Class	F/B	Rotor inertia J=GD ² /4	0,8015 Kgm ²
Max. coolant temp.	40°C	Bearing DE	6316 /C3
Max. altitude	1 000 mtr, above sea level	Bearing NDE	6316 /C3
Comment			
Cable entries	2-M63X1,5 mm		
Terminal box	340X210X106 mm		
Feature	Cast-iron		
Weight	578 kg		