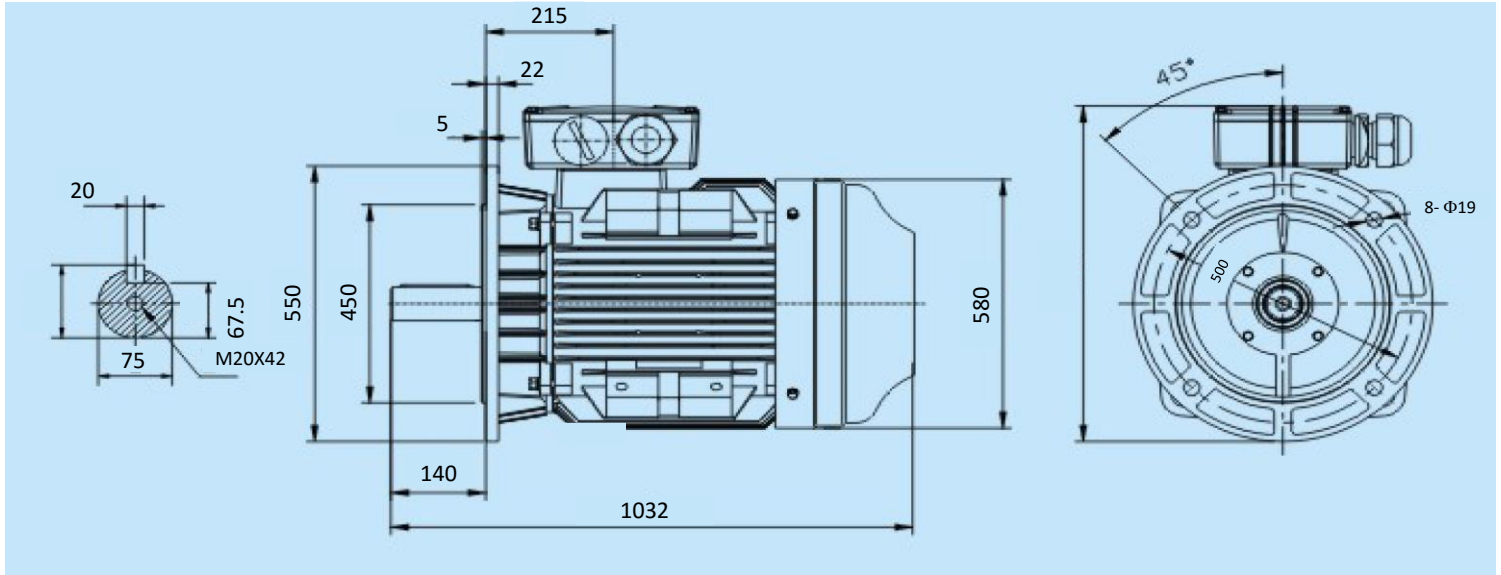


Réf: **YX3-280M-4P 90KW 4P B5**



Specification	IEC 60034-1	Efficiency class	
Manufacturer	SNE	Load data	100%
Motor type	YX3-280M-4P	Efficiency	95,2 %
Rated power	90 kW S1 duty	Power factor	0,88
Speed	1485 r.p.m	Sound pressure level (1m)	69,0 dB(A)
Voltage	400/690 V	Resistance R_{20} (open)	Ω
Frequency	50 Hz	Resistance R_{20}	Ω
Connection		Locked current Rated Current	6,9
400 V	155 A	Locked current Rated Torque	2,0
690 V	89,3 A	Torque	578,79
Enclosure	IP 55	Torque max / Rated Torque	2,3
Insulation Class	F/B	Rotor inertia $J=GD^2/4$	1,9672 Kg m^2
Max. coolant temp.	40°C	Bearing DE	6316 /C3
Max. altitude	1 000 mtr, above sea level	Bearing NDE	6316 /C3
Comment			
Cable entries	2-M63X1,5 mm		
Terminal box	340X210X106 mm		
Feature	Cast-iron		
Weight	675 kg		