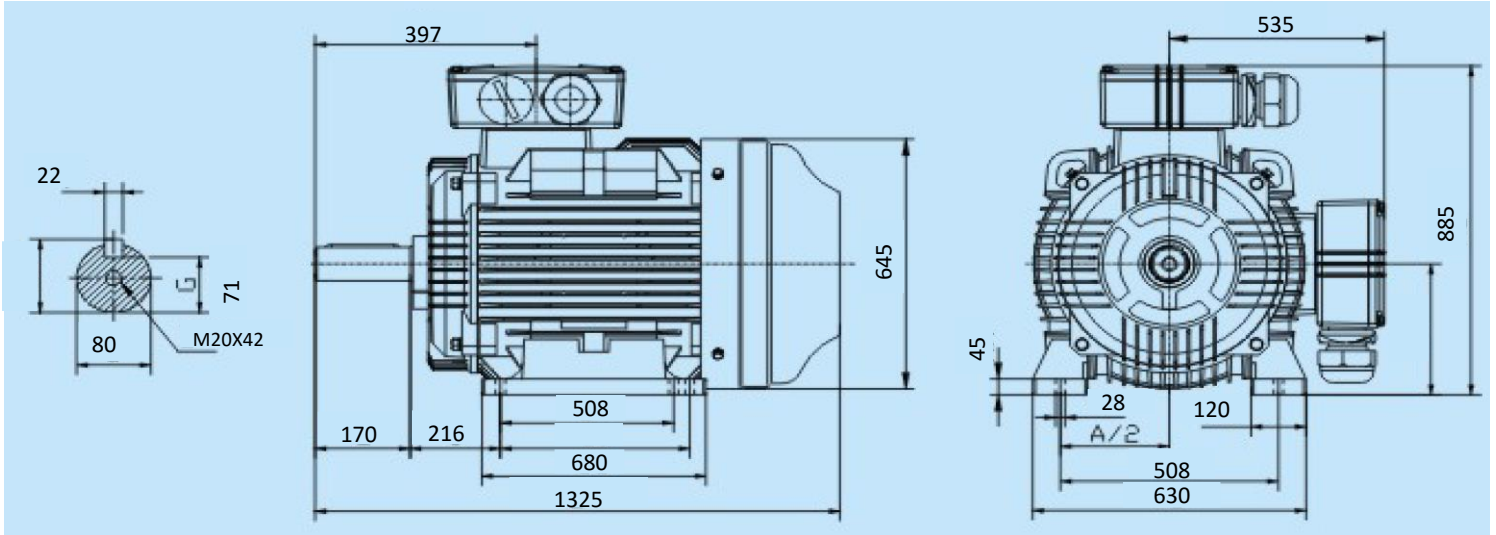


Réf: YX3-315L14P 160KW 4P B3



| | | | |
|--------------------|-----------------------------------|------------------------------------|--|
| Specification | IEC 60034-1 | Efficiency class | |
| Manufacturer | SNE | Load data | 100% |
| Motor type | YX3-315L1-4P | Efficiency | 95,8 % |
| Rated power | 160 kW S1 duty | Power factor | 0,89 |
| Speed | 1485 r.p.m | Sound pressure level (1m) | 74,0 dB(A) |
| Voltage | 400/690 V | Resistance R ₂₀ (open) | Ω |
| Frequency | 50 Hz | Resistance R ₂₀ | Ω |
| Connection | | Locked current Rated Current | 7,1 |
| 400 V | 270,8 A | Locked current Rated Torque | 2,0 |
| 690 V | 156,1 A | Torque | 1028,96 |
| Enclosure | IP 55 | Torque max / Rated Torque | 2,2 |
| Insulation Class | F/B | Rotor inertia J=GD ² /4 | 4,2239 Kg ^m ² |
| Max. coolant temp. | 40°C | Bearing DE | Nu319 |
| Max. altitude | 1 000 mtr, above sea level | Bearing NDE | 6319 / C3 |
| Comment | | | |
| Cable entries | 2-M63X1,5 mm | | |
| Terminal box | 413X258X165 mm | | |
| Feature | Cast-iron | | |
| Weight | 1153 kg | | |