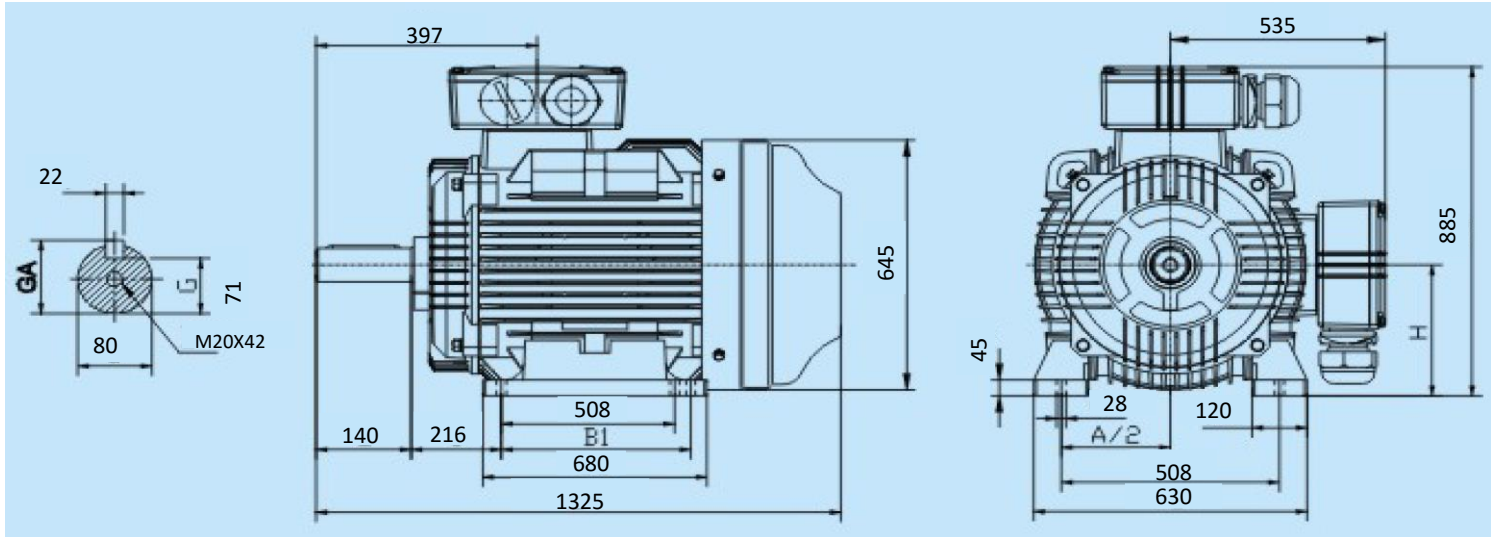


Réf: YX3-315L2-4P 200KW 4P B3



Specification	IEC 60034-1		Efficiency class	
Manufacturer	SNE		Load data	100%
Motor type	YX3-315L2-4P		Efficiency	96,0 %
Rated power	200 kW	S1 duty	Power factor	0,90
Speed	1485 r.p.m		Sound pressure level (1m)	74,0 dB(A)
Voltage	400/690 V		Resistance R ₂₀ (open)	Ω
Frequency	50 Hz		Resistance R ₂₀	Ω
Connection			Locked current Rated Current	7,1
400 V	334,1 A		Locked current Rated Torque	2,0
690 V	192,6 A		Torque	1286,2
Enclosure	IP 55		Torque max / Rated Torque	2,2
Insulation Class	F/B		Rotor inertia J=GD ² /4	5,9135 Kg ^m ²
Max. coolant temp.	40°C		Bearing DE	NU319
Max. altitude	1 000 mtr, above sea level		Bearing NDE	6319 / C3
Comment				
Cable entries	2-M63X1,5 mm			
Terminal box	413X258X165 mm			
Feature	Cast-iron			
Weight	1603 kg			