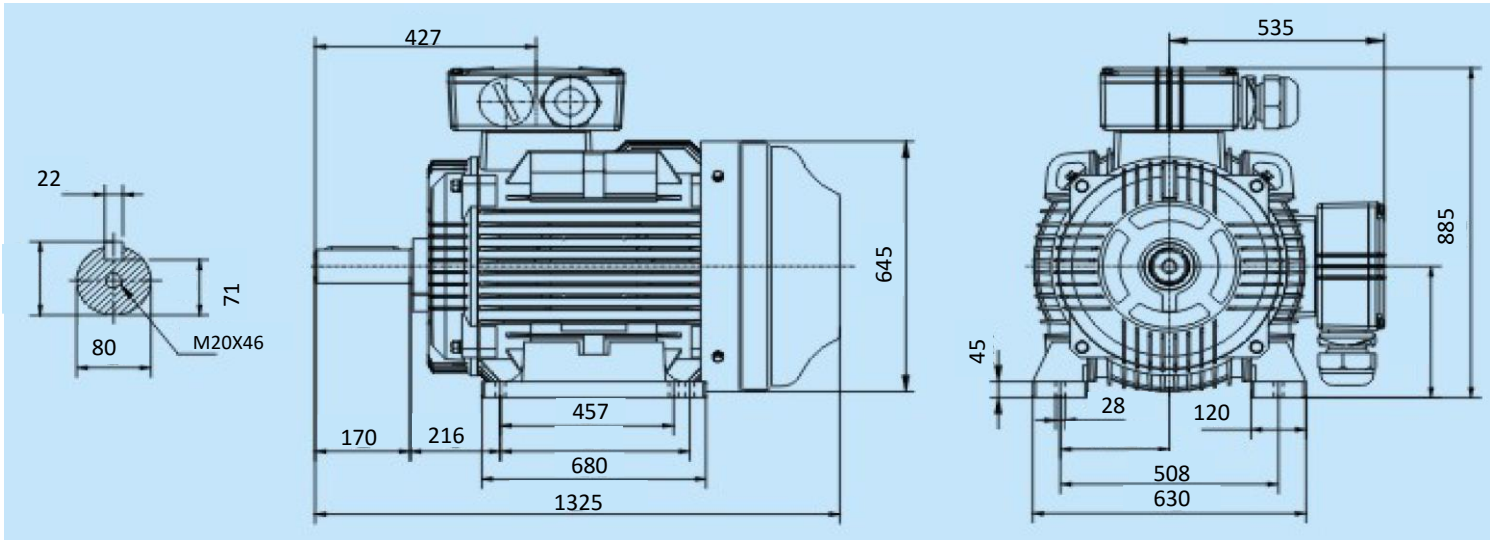


Réf: YX3-315M-4P 132KW 4P B3



Specification	IEC 60034-1	Efficiency class	
Manufacturer	SNE	Load data	100%
Motor type	YX3-315M-4P	Efficiency	95,6 %
Rated power	132 kW	Power factor	0,89
Speed	1485 r.p.m		
Voltage	400/690 V	Sound pressure level (1m)	74,0 dB(A)
Frequency	50 Hz	Resistance R ₂₀ (open)	Ω
Connection		Resistance R ₂₀	Ω
400 V	223,9 A	Locked current Rated Current	7,0
690 V	129,3 A	Locked current Rated Torque	2,0
Enclosure	IP 55	Torque	848,89
Insulation Class	F/B	Torque max / Rated Torque	2,2
Max. coolant temp.	40°C		
Max. altitude	1 000 mtr, above sea level	Rotor inertia J=GD ² /4	3,6959 Kg ^m ²
Comment			
Cable entries	2-M63X1,5 mm		
Terminal box	413X258X165 mm		
Feature	Cast-iron	Bearing DE	Nu319
Weight	1061 kg	Bearing NDE	6319 / C3