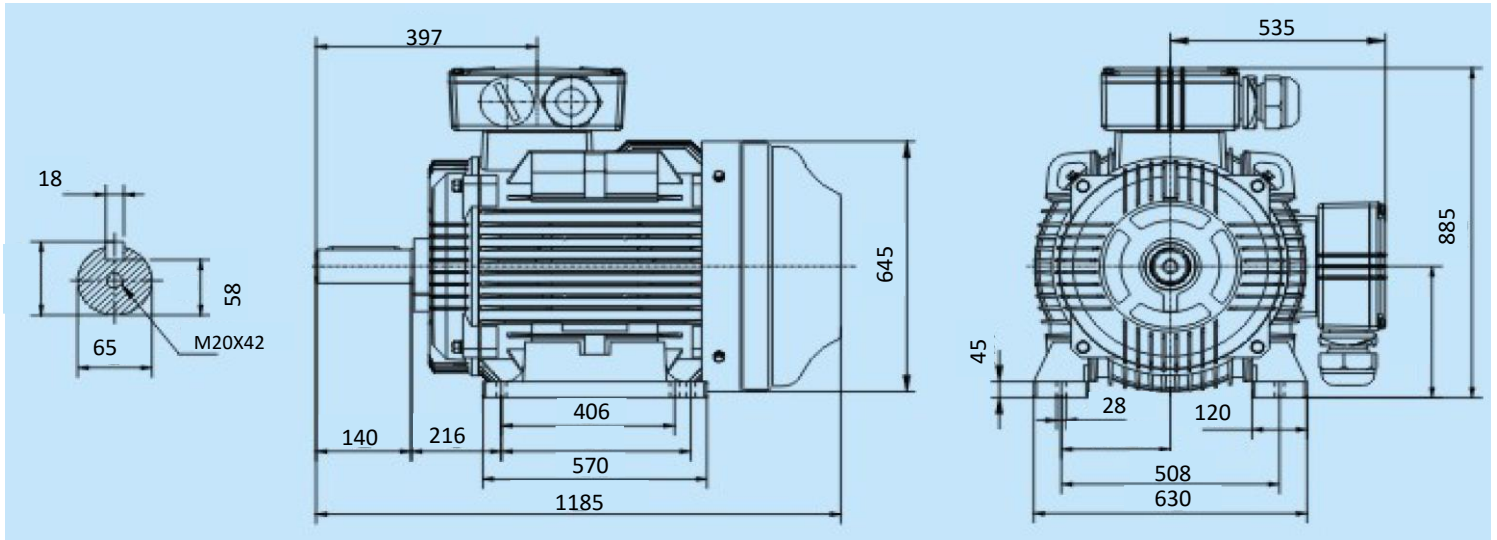


Réf: YX3-315S-2P 110KW 2P B3



Specification	IEC 60034-1	Efficiency class	
Manufacturer	SNE	Load data	100%
Motor type	YX3-315S-2	Efficiency	95,2 %
Rated power	110 kW	Power factor	0,90
Speed	2980 r.p.m		
Voltage	400/690 V	Sound pressure level (1m)	77,0 dB(A)
Frequency	50 Hz	Resistance R ₂₀ (open)	Ω
Connection		Resistance R ₂₀	Ω
400 V	185,3 A	Locked current Rated Current	7,1
690 V	106,9 A	Locked current Rated Torque	1,8
Enclosure	IP 55	Torque	352,52
Insulation Class	F/B	Torque max / Rated Torque	2,3
Max. coolant temp.	40°C		
Max. altitude	1 000 mtr, above sea level	Rotor inertia	J=GD ² /4 1,5305 Kgm ²
Comment			
Cable entries	2-M63X1,5 mm	Bearing DE	6316 /C3
Terminal box	413X258X165 mm	Bearing NDE	6316 /C3
Feature	Cast-iron		
Weight	957 kg		