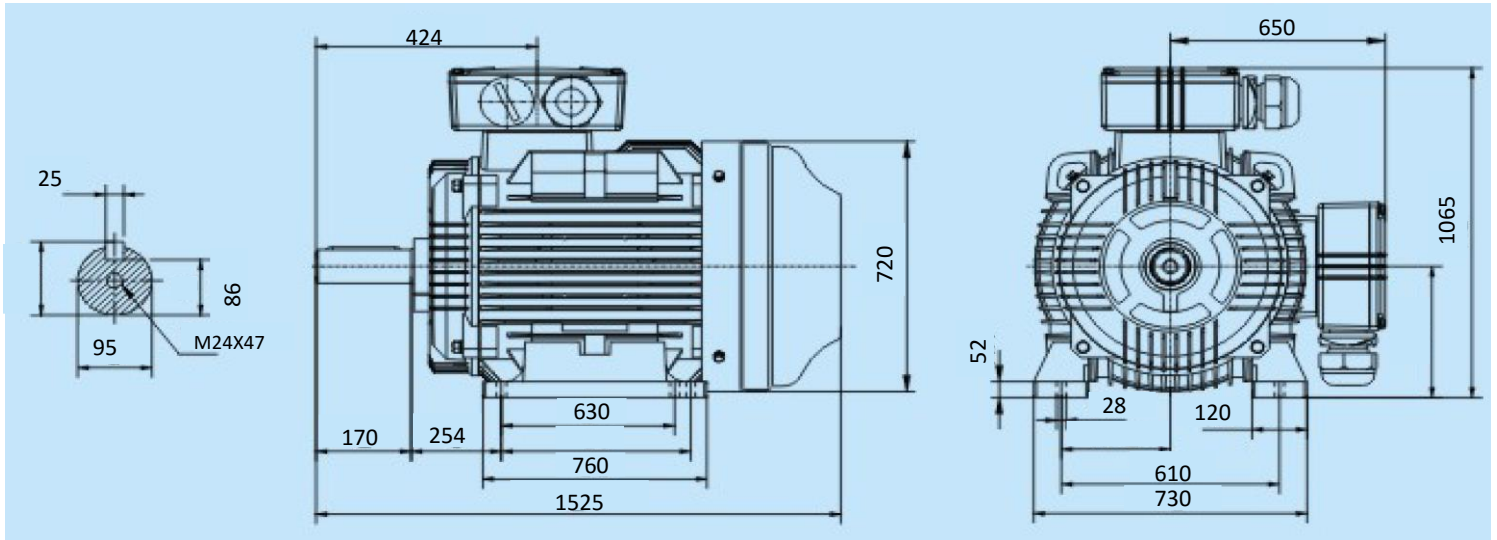


Réf: **YX3-355L-4P 315KW 4P B3**



Specification	IEC 60034-1	Efficiency class	
Manufacturer	SNE	Load data	100%
Motor type	YX3-355L-4P	Efficiency	96,0 %
Rated power	315 kW S1 duty	Power factor	0,90
Speed	1490 r.p.m	Sound pressure level (1m)	74,0 dB(A)
Voltage	400/690 V	Resistance R ₂₀ (open)	Ω
Frequency	50 Hz	Resistance R ₂₀	Ω
Connection		Locked current Rated Current	7,1
400 V	526,2 A	Locked current Rated Torque	2,0
690 V	303,8 A	Torque	2018,96
Enclosure	IP 55	Torque max / Rated Torque	2,2
Insulation Class	F/B	Rotor inertia J=GD ² /4	10,5721 Kg ^m ²
Max. coolant temp.	40°C	Bearing DE	NU322
Max. altitude	1 000 mtr, above sea level	Bearing NDE	6319 / C3
Comment			
Cable entries	2-M63X1,5 mm		
Terminal box	461X300X190 mm		
Feature	Cast-iron		
Weight	1933 kg		