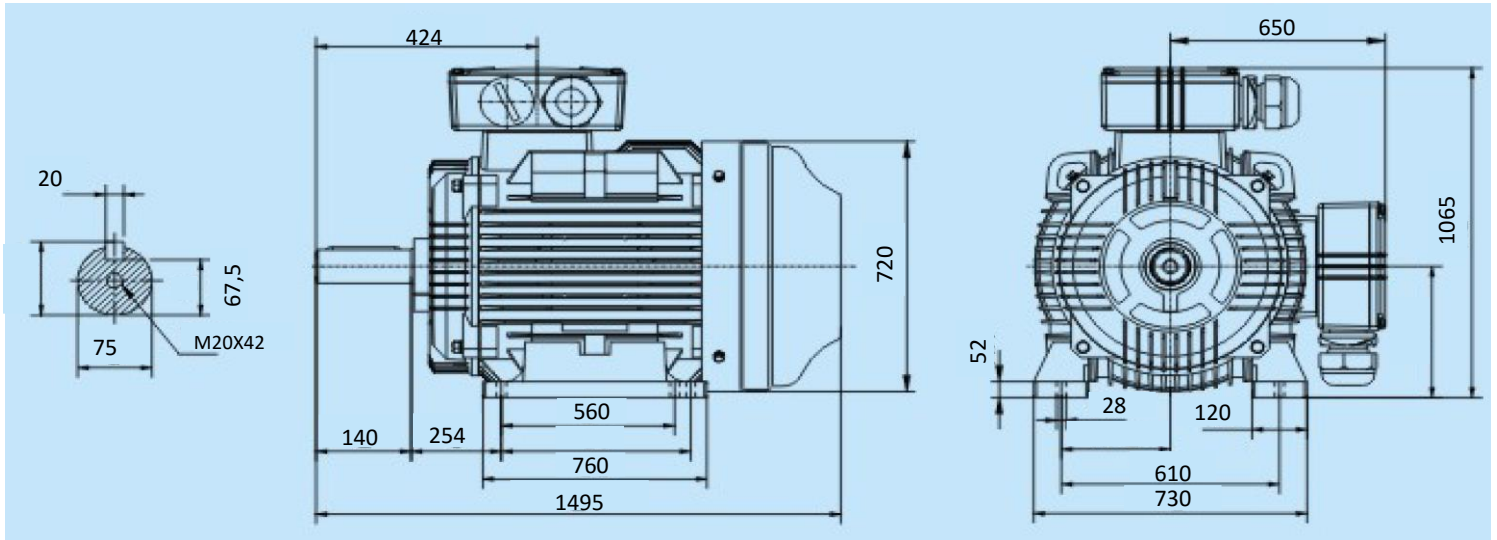


Réf: YX3-355M-2P 250KW 2P B3



Specification	IEC 60034-1	Efficiency class	
Manufacturer	SNE	Load data	100%
Motor type	YX3-355M-2P	Efficiency	95,8 %
Rated power	250 kW S1 duty	Power factor	0,91
Speed	2980 r.p.m	Sound pressure level (1m)	83,0 dB(A)
Voltage	400/690 V	Resistance R_{20} (open)	Ω
Frequency	50 Hz	Resistance R_{20}	Ω
Connection		Locked current Rated Current	7,2
400 V	413,9 A	Locked current Rated Torque	1,6
690 V	238,9 A	Torque	2,2
Enclosure	IP 55	Torque max / Rated Torque	
Insulation Class	F/B		
Max. coolant temp.	40°C	Rotor inertia $J=GD^2/4$	3,1254 Kg m^2
Max. altitude	1 000 mtr, above sea level		
Comment		Bearing DE	6319 /C3
Cable entries	2-M63X1,5 mm	Bearing NDE	6319 /C3
Terminal box	461X300X190 mm		
Feature	Cast-iron		
Weight	1655 kg		